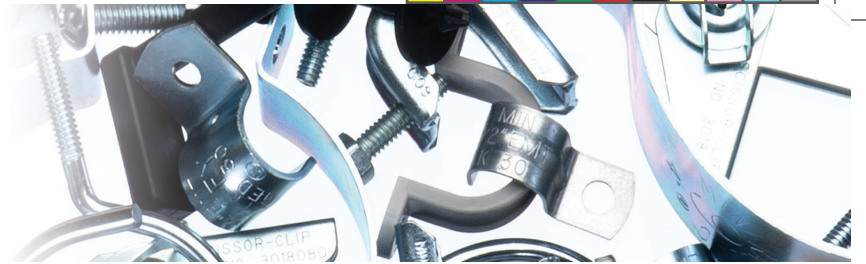
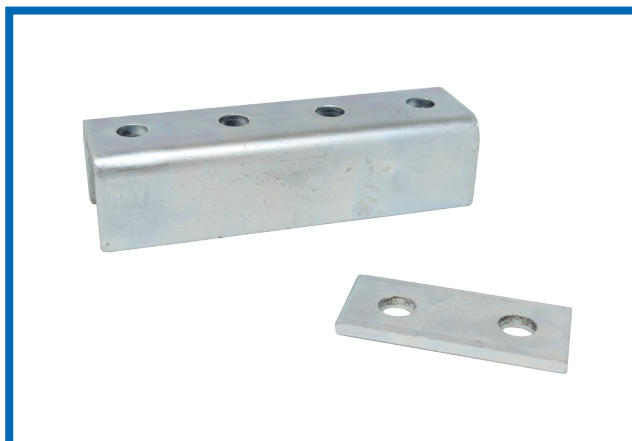
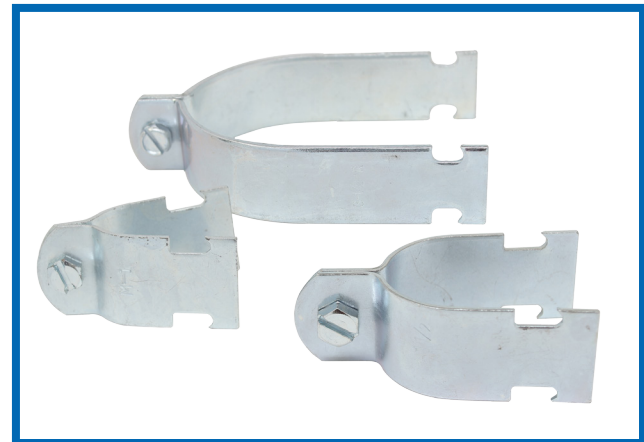
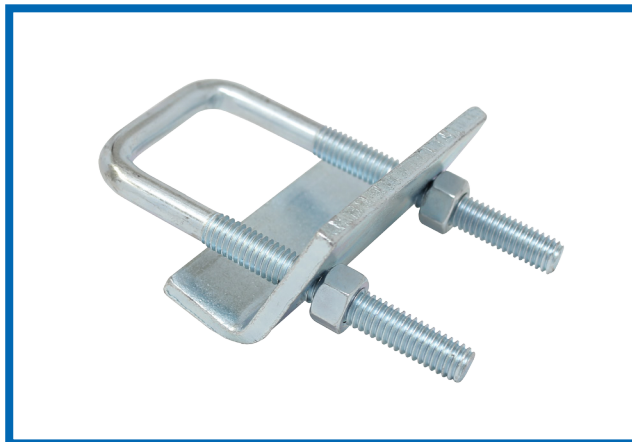
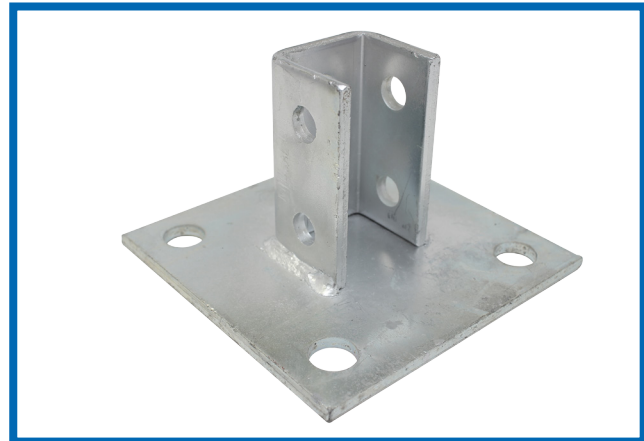
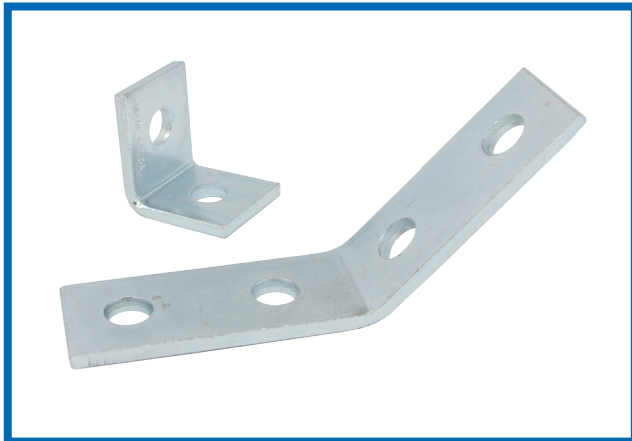




Minerallac[®]
Strut Fittings



Strut Fittings & Accessories



Contact Us

Phone

Corporate Office

800-927-3293

8:00 A.M. to 5:00 P.M. CT

Regional Office

800-927-3293

8:00 A.M. to 5:00 P.M. PT

Mail

Corporate Office

100 Gast Road

Hampshire, IL 60140

Regional Office

4200 9th Avenue NW

Seattle, WA 98107

Fax

Corporate Office

800-824-8942

Regional Office

206-789-9362

Online/Email

Web

www.minerallac.com

Customer Service

CustomerService@minerallac.com

WHY MINERALLAC?

Our passion is the same today as it has been since 1894 - providing solutions to meet your most challenging requirements. To fulfill those requirements, we are integrating strut accessories into our vast line of products.

The Minerallac Company product line offers:

Minerallac Strut Fittings and Accessories offers expansive lines of fittings, clamps, and hardware for strut systems.

Minerallac Traditional® offers hangers, straps, and beam clamps in more sizes and finishes than any other single source.

Cully™ offers one of the broadest lines of fasteners, anchors, tools, and safety products for the industry.

Black Claw™ offers an expansive line of spring steel fasteners.

IMPACT Staples® offers residential and commercial staples.

Redmore® offers staples, nails, as well as, wire products for the utility market.

This comprehensive assembly of products began in 1894 and continues today.

MINERALLAC STRUT FITTINGS AND ACCESSORIES

Standard and specialty finishes Include:

- 304 Stainless Steel
- 316 Stainless Steel
- Aluminum
- Hot-Dipped Galvanized
- Zinc Electroplate (EG)
- Yellow Chromate
- Powder Coated Green
- Epoxy
- Copper Chromate



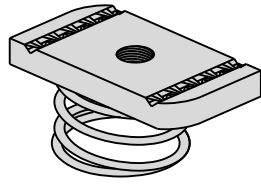
Quality Since 1894



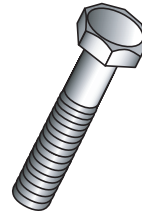
Toll Free 800 927 3293 Fax 800 824 8942



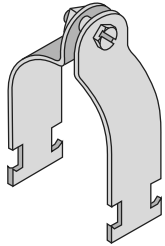
Pictorial Index



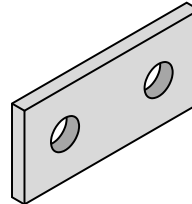
Channel Nuts
pages 4-5



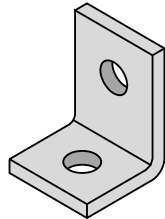
Hardware
page 6-7



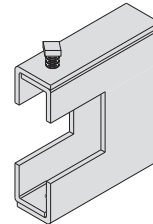
Strut Clamps
pages 8-13



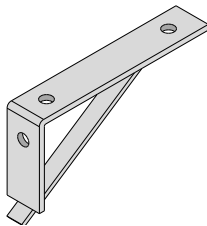
Flat Fittings
pages 14-17



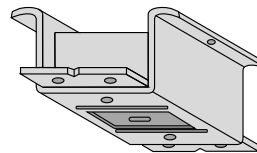
Angle Fittings
pages 18-24



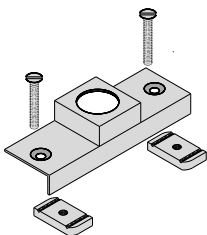
Beam Clamps
pages 25-32



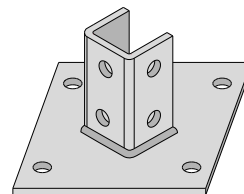
Brackets
pages 33-37



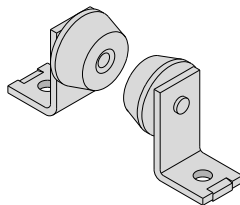
Concrete Inserts
pages 38-39



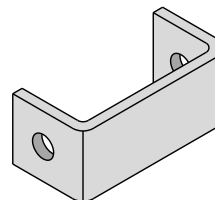
Electrical
pages 40-43



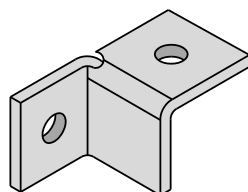
Post Bases
pages 44-46



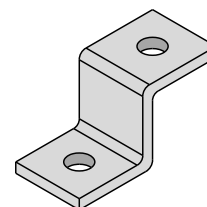
Rollers
pages 47-48



U Fittings
pages 49-52



Wing Fittings
pages 53-56



Z Fittings
pages 57-59

Material is 1 5/8" wide x 1/4" thick unless specified. Holes are 9/16" diameter, 1 3/16" center to edge on 1 7/8" centers unless specified

Pictorial
Index

Channel
Nuts

Hardware

Strut
Clamps

Flat
Fittings

Angle
Fittings

Beam
Clamps

Brackets

Concrete
Inserts

Electrical

Post Bases

Rollers

U Fittings

Wing
Fittings

Z Fittings

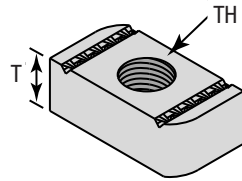
Alphabetical
Index



Channel Nuts

NO SPRING CHANNEL NUT

- For all channel sizes except noted sizes
- Standard finish is Zinc Electroplate

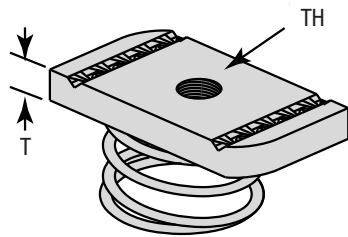


- * Import item. Call for domestic availability.
- ** Cannot be used with 1 3/16" & 1" channel

Part #	Thread Size (TH)	T		Box Qty
		in	mm	
CNN010EG*	10-24"	0.25	6.3	100
CNN025EG*	1/4"-20"	0.25	6.3	100
CNN031EG*	5/16"-18"	0.37	9.4	100
CNN037EG*	3/8"-16"	0.37	9.4	100
CNN050EG*	1/2"-13"	0.37	9.4	100
CNNT050EG** *	1/2"-13"	0.5	12.7	100
CNN062EG**	5/8"-11"	0.37	9.4	100
CNNT062EG** *	5/8"-11"	0.5	12.7	100
CNN075EG*	3/4"-10"	0.37	9.4	100
CNNT075EG** *	3/4"-10"	0.5	12.7	100
CNNT087EG** *	7/8"-9"	0.5	12.7	100

SHORT SPRING

- For 1 3/16" & 1" channel
- Standard finish is Zinc Electroplate



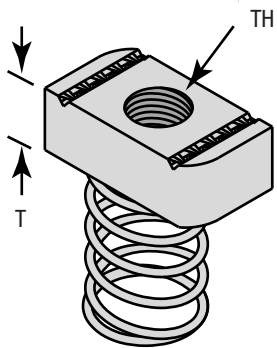
- * Import item. Call for domestic availability.

Part #	Thread Size (TH)	T		Box Qty
		in	mm	
SNS010EG*	10-24"	0.25	6.3	100
SNS025EG*	1/4"-20"	0.25	6.3	100
SNS031EG*	5/16"-18"	0.25	6.3	100
SNST031EG*	5/16"-18"	0.37	9.4	100
SNS037EG*	3/8"-16"	0.25	6.3	100
SNST037EG*	3/8"-16"	0.37	9.4	100
SNST050EG*	1/2"-13"	0.37	9.4	100
SNS062EG*	5/8"-11"	0.37	9.4	100

Channel Nuts

SPRING NUT

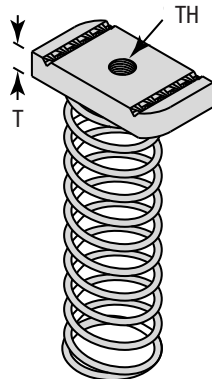
- For 1- $\frac{3}{8}$ " & 1- $\frac{5}{8}$ " channel
- Standard finish is Zinc Electroplate



Part #	Thread Size (TH)	T		Box Qty
		in	mm	
SN010EG*	10-24"	0.25	6.3	100
SN025EG*	$\frac{1}{4}$ "-20"	0.25	6.3	100
SN031EG*	$\frac{5}{16}$ "-18"	0.25	6.3	100
SNT031EG*	$\frac{5}{16}$ "-18"	0.37	9.4	100
SN037EG*	$\frac{3}{8}$ "-16"	0.25	6.3	100
SNT037EG*	$\frac{3}{8}$ "-16"	0.37	9.4	100
SN050EG*	$\frac{1}{2}$ "-13"	0.37	9.4	100
SNT050EG*	$\frac{1}{2}$ "-13"	0.5	12.7	100
SN062EG*	$\frac{5}{8}$ "-11"	0.5	12.7	50
SN075EG*	$\frac{3}{4}$ "-10"	0.5	12.7	50
SN087EG*	$\frac{7}{8}$ "-9"	0.5	12.7	50

LONG SPRING NUT

- For 2- $\frac{7}{16}$ " & 3- $\frac{1}{4}$ " channel
- Standard finish is Zinc Electroplate

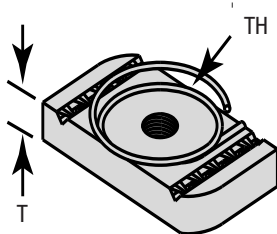


Part #	Thread Size (TH)	T		Box Qty
		in	mm	
SNL025EG*	$\frac{1}{4}$ "-20"	0.25	6.3	100
SNL037EG*	$\frac{3}{8}$ "-16"	0.37	9.4	50
SNL050EG*	$\frac{1}{2}$ "-13"	0.5	12.7	50

* Import item. Call for domestic availability.

TOP SPRING NUT

- For all channel sizes except noted sizes
- Standard finish is Zinc Electroplate
- ** Cannot be used with $\frac{13}{16}$ " & 1" channel



Part #	Thread Size (TH)	T		Box Qty
		in	mm	
TN025EG*	$\frac{1}{4}$ "-20"	0.25	6.3	100
TN037EG*	$\frac{3}{8}$ "-16"	0.37	9.4	100
TN050EG*	$\frac{1}{2}$ "-13"	0.37	9.4	100
TNT050EG**	$\frac{1}{2}$ "-13"	0.5	12.7	100

* Import item. Call for domestic availability.

Pictorial Index
Channel Nuts
Hardware
Strut Clamps
Flat Fittings
Angle Fittings
Beam Clamps
Brackets
Concrete Inserts
Electrical
Post Bases
Rollers
U Fittings
Wing Fittings
Z Fittings
Alphabetical Index

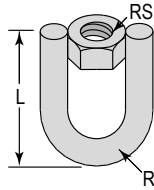


Swivels



SWIVEL FEMALE

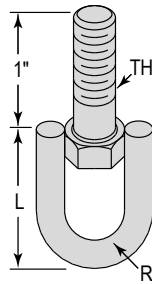
- Standard finish is Zinc Electroplate



Part #	RS	L		R		Design Load		Box Qty
		in	mm	in	mm	lbs	kN	
SWF037EG	3/8"-16	1 3/4	44.4	1/4	6.3	620	2.76	50
SWF050EG	1/2"-13	2	50.8	3/8	9.4	1150	5.12	50

SWIVEL MALE

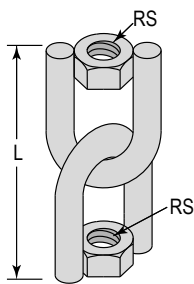
- Standard finish is Zinc Electroplate



Part #	Thread Size (TH)	L		R		Design Load		Box Qty
		in	mm	in	mm	lbs	kN	
SWM037EG	3/8"-16	1 3/4	44.4	1/4	6.3	620	2.76	50
SWM050EG	1/2"-13	2	50.8	3/8	9.4	1150	5.12	50

SWIVEL FEMALE - FEMALE

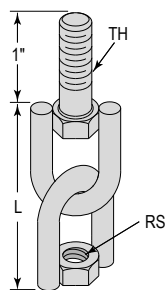
- Standard finish is Zinc Electroplate



Part #	RS	L		Design Load		Box Qty
		in	mm	lbs	kN	
SWFF037EG	3/8"-16	2 3/4	69.8	620	2.76	50
SWFF050EG	1/2"-13	3	76.2	1150	5.12	50

SWIVEL MALE - FEMALE

- Standard finish is Zinc Electroplate



Part #	Thread Size (TH)	RS	L		Design Load		Box Qty
			in	mm	lbs	kN	
SWMF037EG	3/8"-16	3/8"-16	2 3/4	69.8	620	2.76	50
SWMF050EG	1/2"-13"	1/2"-13	3	76.2	1150	5.12	50



HEX NUTS - ZINC PLATED



Plastic Box			Gravity Feed Jar			
Part #	Size	Quantity	Part #	Jar Qty/Std Pk	Heavy Duty	
					Part #	Jar Qty/Std Pk
40125	1/4"-20	100	40125J	100/1200	▲	
40135	3/8"-16	100	40135J	100/600	40135HJ	100/600
40140	1/2"-13	100	40140J	100/600	40140HJ	100/600
40145	5/8"-11	50	40145J	50/300	▲	
40150	3/4"-10	50	40150J	50/300	40150HJ	50/300

▲ Contact customer service for gravity feed jar availability.

FLAT CUT WASHERS - ZINC PLATED



Plastic Box			Gravity Feed Jar	
Part #	Size	Quantity	Part #	Jar Qty/Std Pk
40325	1/4"	100	40325J	100/1200
40335	3/8"	100	40335J	100/600
40340	1/2"	100	40340J	100/600
40345	5/8"	100	40345J	100/600
40350	3/4"	100	40350J	100/600

GRADE 2 HEX HEAD MACHINE BOLTS - ZINC



Plastic Box			Gravity Feed Jar	
Part #	Size	Quantity	Part #	Jar Qty/Std Pk
55008	1/4"-20 x 1/2"	100	55008J	100/1200
55012	1/4"-20 x 3/4"	100	55012J	100/600
55016	1/4"-20 x 1"	100	55016J	100/600
55020	1/4"-20 x 1-1/4"	100	55020J	100/600
55024	1/4"-20 x 1-1/2"	100	55024J	100/600
55032	1/4"-20 x 2"	100	55032J	100/600
55408	3/8"-16 x 1/2"	100	55408J	100/600
55412	3/8"-16 x 3/4"	100	55412J	100/600
55416	3/8"-16 x 1"	100	55416J	100/600
55420	3/8"-16 x 1-1/4"	100	55420J	100/600
55424	3/8"-16 x 1-1/2"	100	55424J	100/600
55432	3/8"-16 x 2"	50	55432J	100/600
55812	1/2"-13 x 3/4"	50	55812J	50/300
55816	1/2"-13 x 1"	50	55816J	50/300
55820	1/2"-13 x 1-1/4"	50	55820J	50/300
55824	1/2"-13 x 1-1/2"	50	55824J	50/300
55832	1/2"-13 x 2"	50	55832J	50/300

HEX ROD COUPLINGS - ZINC



Plastic Box			Gravity Feed Jar	
Part #	Size	Quantity	Part #	Jar Qty/Std Pk
59604	1/4"-20	100	59604J	100/600
59606	3/8"-16	100	59606J	100/600
59608	1/2"-13	50	59608J	100/600

THREADED ROD - ZINC



Cardboard Tubes		
Part #	Size	Quantity
59703	1/4"-20 x 3'	50
59702	3/8"-16 x 3'	25
59704	1/4"-20 x 6'	50
59706	3/8"-16 x 6'	25
59708	1/2"-13 x 6'	12
59710	5/8"-11 x 6'	5
59804	1/4"-20 x 10'	50
59806	3/8"-16 x 10'	25
59808	1/2"-13 x 10'	12
59810	5/8"-11 x 10'	5

Refer to the Minerallac Company Catalog for Additional Fastening and Hardware Products

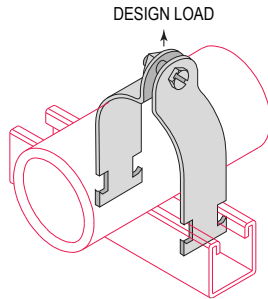
- Pictorial Index
- Channel Nuts
- Hardware
- Strut Clamps
- Flat Fittings
- Angle Fittings
- Beam Clamps
- Brackets
- Concrete Inserts
- Electrical
- Post Bases
- Rollers
- U Fittings
- Wing Fittings
- Z Fittings
- Alphabetical Index

Strut Clamps



RIDGID CONDUIT STRUT CLAMPS

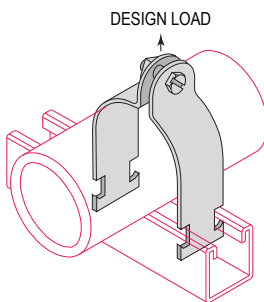
- Standard finish is Zinc Electroplate



Part #	Rigid Conduit Size		O.D.		Design Load		Box Qty
	in	mm	in	mm	lbs	kN	
CCR025EG	¼	6	0.54	13.7	400	1.78	100
CCR037EG	⅜	10	0.675	17.1	400	1.78	100
CCR050EG	½	15	0.84	21.3	400	1.78	100
CCR075EG	¾	20	1.05	26.7	600	2.67	100
CCR100EG	1	25	1.315	33.4	600	2.67	100
CCR125EG	1¼	32	1.66	42.2	600	2.67	50
CCR150EG	1½	40	1.9	48.3	800	3.56	50
CCR200EG	2	50	2.375	60.3	800	3.56	50
CCR250EG	2½	65	2.875	73	800	3.56	50
CCR300EG	3	80	3.5	88.9	800	3.56	25
CCR350EG	3½	90	4	101.6	1000	4.45	25
CCR400EG	4	100	4.5	114.3	1000	4.45	25
CCR500EG	5	125	5.562	141.3	1000	4.45	25
CCR600EG	6	150	6.625	168.3	1000	4.45	25
CCR800EG	8	200	8.625	219.1	1000	4.45	25
CCR1000EG	10	250	10.75	273.1	1000	4.45	25
CCR1200EG	12	300	12.75	323.9	1000	4.45	25

UNIVERSAL CONDUIT STRUT CLAMPS

- Standard finish is Zinc Electroplate



Part #	Conduit Size		O.D.		Design Load		Box Qty
	in	mm	in	mm	lbs	kN	
CCU050EG	½	15	0.773	19.6	400	1.78	100
CCU075EG	¾	20	0.986	25	600	2.67	100
CCU100EG	1	25	1.239	31.5	600	2.67	100
CCU125EG	1¼	32	1.585	40.3	600	2.67	50
CCU150EG	1½	40	1.82	45.7	800	3.56	50
CCU200EG	2	50	2.286	58.1	800	3.56	50

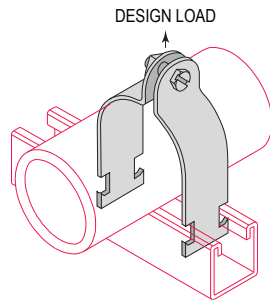
*These clamps are designed to fit both pipe (rigid conduit) and thin walled tubing (EMT) in the corresponding sizes.

Strut Clamps



EMT CONDUIT STRUT CLAMPS

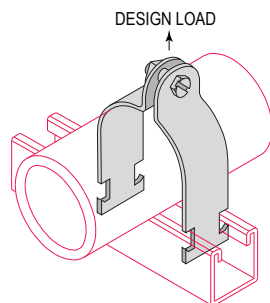
- Standard finish is Zinc Electroplate



Part #	EMT Conduit Size		O.D.		Design Load		Box Qty
	in	mm	in	mm	lbs	kN	
CCE037EG	3/8	10	0.557	14.2	400	1.78	25
CCE050EG	1/2	15	0.706	17.9	400	1.78	100
CCE075EG	3/4	20	0.922	23.4	400	1.78	100
CCE100EG	1	25	1.163	29.5	600	2.67	100
CCE125EG	1 1/4	32	1.51	38.4	600	2.67	50
CCE150EG	1 1/2	40	1.74	44.2	800	3.56	50
CCE200EG	2	50	2.197	55.8	800	3.56	50

COPPER TUBING CONDUIT STRUT CLAMP

- Standard finish is Copper Zinc Dichromate which has a copper color to identify product for use with copper tubing.



Part #	Tubing Size		O.D.		Design Load		Box Qty
	in	mm	in	mm	lbs	kN	
CCC025CP	1/4	6	0.375	9.5	400	1.78	100
CCC037CP	3/8	10	0.5	12.7	400	1.78	25
CCC050CP	1/2	15	0.625	15.9	400	1.78	100
CCC075CP	3/4	20	0.875	22.2	400	1.78	100
CCC100CP	1	25	1.125	28.6	600	2.67	100
CCC125CP	1 1/4	32	1.375	34.9	600	2.67	50
CCC150CP	1 1/2	40	1.625	41.3	600	2.67	50
CCC200CP	2	50	2.125	54	800	3.56	50
CCG250CP	2 1/2	65	2.625	66.7	800	3.56	50
CCC300CP	3	80	3.125	79.4	800	3.56	50
CCG350CP	3 1/2	90	3.625	92.1	1000	4.45	25
CCC400CP	4	100	4.125	104.8	1000	4.45	25
CCC500CP	5	125	5.125	130.2	1000	4.45	25
CCC600CP	6	150	6.125	155.6	1000	4.45	25

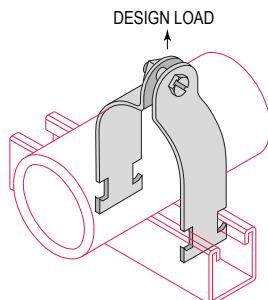
- Pictorial Index
- Channel Nuts
- Hardware
- Strut Clamps
- Flat Fittings
- Angle Fittings
- Beam Clamps
- Brackets
- Concrete Inserts
- Electrical
- Post Bases
- Rollers
- U Fittings
- Wing Fittings
- Z Fittings
- Alphabetical Index

Strut Clamps



O.D. CONDUIT STRUT CLAMP

- Standard finish is Zinc Electroplate



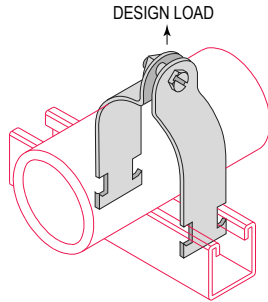
Part #	O.D.		Design Load		Box Qty	
	in	mm	lbs	kN		
CCOD025EG	¼	0.25	6.4	400	1.78	100
CCOD037EG	⅜	0.375	9.5	400	1.78	100
CCOD050EG	½	0.5	12.7	400	1.78	100
CCOD062EG	⅝	0.625	15.9	400	1.78	100
CCOD075EG	¾	0.75	19	400	1.78	100
CCOD087EG	⅞	0.875	22.3	400	1.78	100
CCOD100EG	1	1	25.4	600	2.67	100
CCOD112EG	1⅛	1.125	28.6	600	2.67	100
CCOD125EG	1¼	1.25	31.8	600	2.67	100
CCOD137EG	1⅜	1.375	34.9	600	2.67	50
CCOD150EG	1½	1.5	38.1	600	2.67	50
CCOD162EG	1⅝	1.625	41.3	600	2.67	50
CCOD175EG	1¾	1.75	44.5	800	3.56	50
CCOD187EG	1⅞	1.875	47.6	800	3.56	50
CCOD200EG	2	2	50.8	800	3.56	50
CCOD212EG	2⅛	2.125	54	800	3.56	50
CCOD225EG	2¼	2.25	57.2	800	3.56	50
CCOD237EG	2⅝	2.375	60.3	800	3.56	50
CCOD250EG	2½	2.5	63.5	800	3.56	50
CCOD262EG	2⅞	2.625	66.7	800	3.56	50
CCOD275EG	2¾	2.75	69.9	800	3.56	50
CCOD287EG	2⅞	2.875	73	800	2.56	50
CCOD300EG	3	3	76.2	800	3.56	50
CCOD312EG	3⅛	3.125	79.4	800	3.56	50
CCOD325EG	3¼	3.25	82.6	800	3.56	50
CCOD337EG	3⅝	3.375	85.7	800	3.56	50
CCOD350EG	3½	3.5	88.9	800	3.56	50
CCOD362EG	3⅞	3.625	92.1	1000	3.56	25
CCOD375EG	3¾	3.75	95.3	1000	4.45	25
CCOD387EG	3⅞	3.875	98.4	1000	4.45	25
CCOD400EG	4	4	101.6	1000	4.45	25
CCOD412EG	4⅛	4.125	104.8	1000	4.45	25
CCOD425EG	4¼	4.25	108	1000	4.45	25
CCOD437EG	4⅝	4.375	111.1	1000	4.45	25
CCOD450EG	4½	4.5	114.3	1000	4.45	25
CCOD462EG	4⅞	4.625	117.5	1000	4.45	25
CCOD475EG	4¾	4.75	120.7	1000	4.45	25
CCOD487EG	4⅞	4.875	123.8	1000	4.45	25

Strut Clamps



O.D. CONDUIT STRUT CLAMP CONT.

- Standard finish is Zinc Electroplate



Part #	O.D.			Design Load		Box Qty
	in	in	mm	lbs	kN	
CCOD500EG	5	5	127	1000	4.45	25
CCOD512EG	5 $\frac{1}{8}$	5.125	130.2	1000	4.45	25
CCOD525EG	5 $\frac{1}{4}$	5.25	133.4	1000	4.45	25
CCOD537EG	5 $\frac{3}{8}$	5.375	136.5	1000	4.45	25
CCOD550EG	5 $\frac{1}{2}$	5.5	139.7	1000	4.45	25
CCOD562EG	5 $\frac{5}{8}$	5.625	142.9	1000	4.45	25
CCOD575EG	5 $\frac{3}{4}$	5.75	146.1	1000	4.45	25
CCOD587EG	5 $\frac{7}{8}$	5.875	149.2	1000	4.45	25
CCOD600EG	6	6	152.4	1000	4.45	25
CCOD612EG	6 $\frac{1}{8}$	6.125	155.6	1000	4.45	25
CCOD625EG	6 $\frac{1}{4}$	6.25	158.8	1000	4.45	25
CCOD637EG	6 $\frac{3}{8}$	6.375	161.9	1000	4.45	25
CCOD650EG	6 $\frac{1}{2}$	6.5	165.1	1000	4.45	25
CCOD662EG	6 $\frac{5}{8}$	6.625	168.3	1000	4.45	25
CCOD675EG	6 $\frac{3}{4}$	6.75	171.5	1000	4.45	25
CCOD687EG	6 $\frac{7}{8}$	6.875	174.6	1000	4.45	25
CCOD700EG	7	7	177.8	1000	4.45	25
CCOD712EG	7 $\frac{1}{8}$	7.125	181	1000	4.45	25
CCOD725EG	7 $\frac{1}{4}$	7.25	184.2	1000	4.45	25
CCOD737EG	7 $\frac{3}{8}$	7.375	187.3	1000	4.45	25
CCOD750EG	7 $\frac{1}{2}$	7.5	190.5	1000	4.45	25
CCOD762EG	7 $\frac{5}{8}$	7.625	193.7	1000	4.45	25
CCOD775EG	7 $\frac{3}{4}$	7.75	196.9	1000	4.45	25
CCOD787EG	7 $\frac{7}{8}$	7.875	200	1000	4.45	25
CCOD812EG	8 $\frac{1}{8}$	8.125	206.4	1000	4.45	25
CCOD825EG	8 $\frac{1}{4}$	8.25	209.6	1000	4.45	25
CCOD837EG	8 $\frac{3}{8}$	8.375	212.7	1000	4.45	25
CCOD850EG	8 $\frac{1}{2}$	8.5	215.9	1000	4.45	25
CCOD862EG	8 $\frac{5}{8}$	8.625	219.1	1000	4.45	25
CCOD875EG	8 $\frac{3}{4}$	8.75	196.9	1000	4.45	25
CCOD887EG	8 $\frac{7}{8}$	8.875	200	1000	4.45	25
CCOD900EG	9	9	228.6	1000	4.45	25

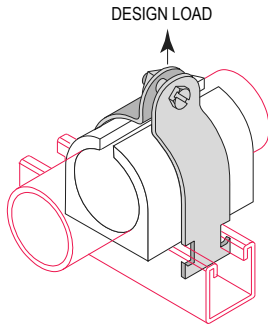
- Pictorial Index
- Channel Nuts
- Hardware
- Strut Clamps
- Flat Fittings
- Angle Fittings
- Beam Clamps
- Brackets
- Concrete Inserts
- Electrical
- Post Bases
- Rollers
- U Fittings
- Wing Fittings
- Z Fittings
- Alphabetical Index

Strut Clamps



TUBING CUSHION STRUT CLAMP

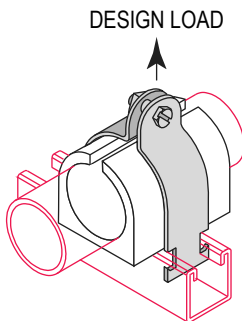
- Standard finish is Yellow Zinc Dichromate



Part #	Pipe Size O.D.			Box Qty
	in	in	mm	
CCT025YC	¼	0.25	6.4	25
CCT037YC	⅜	0.375	9.5	25
CCT050YC	½	0.5	12.7	25
CCT062YC	⅝	0.625	15.9	25
CCT075YC	¾	0.75	19	25
CCT087YC	⅞	0.875	22.3	25
CCT100YC	1	1	25.4	20
CCT112YC	1⅛	1.125	28.6	10
CCT125YC	1¼	1.25	31.8	10
CCT137YC	1⅜	1.375	34.9	10
CCT150YC	1½	1.5	38.1	10
CCT162YC	1⅝	1.625	41.3	10
CCT175YC	1¾	1.75	44.5	10
CCT187YC	1⅞	1.875	47.6	10
CCT200YC	2	2	50.8	10
CCT212YC	2⅛	2.125	54	10
CCT225YC	2¼	2.25	57.2	10
CCT250YC	2½	2.5	63.5	10
CCT262YC	2⅝	2.625	66.7	10
CCT312YC	3⅞	3.125	79.4	10
CCT362YC	3⅝	3.625	92.1	10
CCT412YC	4⅞	4.125	104.8	10

PIPE CUSHION STRUT CLAMP

- Standard finish is Yellow Zinc Dichromate



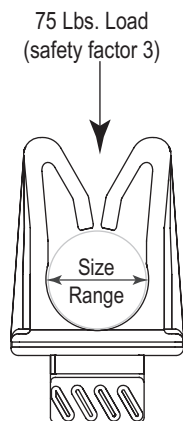
Part #	Pipe Size O.D.		PIPE O.D.		Box Qty
	in	din	in	mm	
CCP037YC	⅜	10	0.675	17.1	25
CCP050YC	½	15	0.84	21.3	25
CCP075YC	¾	20	1.05	26.7	25
CCP100YC	1	25	1.315	33.4	25
CCP125YC	1¼	32	1.66	42.2	10
CCP150YC	1½	40	1.9	48.3	10
CCP200YC	2	50	2.375	60.3	10
CCP250YC	2½	65	2.875	73	10
CCP300YC	3	80	3.5	88.9	10
CCP350YC	3½	90	4	101.6	10
CCP400YC	4	100	4.5	114.3	10
CCP500YC	5	125	5.562	141.3	EA

Strut Clamps



CLUTCH CLAMP

- For tube and EMT conduit



Part #	Tube Size O.D.		Box Qty
	O.D.	in	
CLT025	1/4	0.25	10
CLT037	3/8	0.375	50
CLT050	1/2	0.5	50
CLT062	5/8	0.625	50
CLT075	3/4	0.75	50
CLT087	7/8	0.875	50
CLT112	1 1/8	1.125	50

Part #	EMT SIZE		Box Qty
	O.D.	in	
CLE050	1/2	0.706	50
CLE075	3/4	0.922	50
CLE100	1	1.163	50

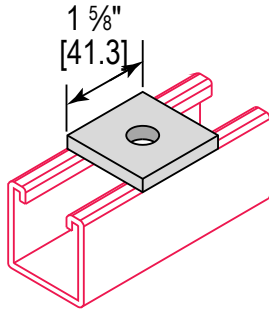
- Pictorial Index
- Channel Nuts
- Hardware
- Strut Clamps
- Flat Fittings
- Angle Fittings
- Beam Clamps
- Brackets
- Concrete Inserts
- Electrical
- Post Bases
- Rollers
- U Fittings
- Wing Fittings
- Z Fittings
- Alphabetical Index

Flat Fittings



SQUARE WASHER

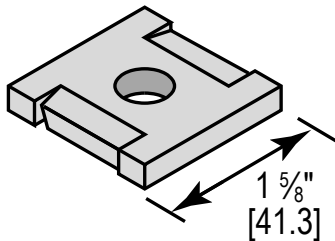
- Standard finish is Yellow Zinc Electroplate



Part #	Bolt Size		Hole Size		Box Qty
	in	mm	in	mm	
SW025EG	1/4	6	5/16	7.9	100
SW031EG	5/16	7	3/8	9.5	100
SW037EG	3/8	8	7/16	11.1	100
SW050EG	1/2	12	9/16	14.3	100
SW062EG	5/8	16	1 1/16	17.5	100
SW075EG	3/4	20	1 3/16	20.6	100
SW087EG	7/8	22	1 5/16	23.8	100

SQUARE WASHER - NOTCHED

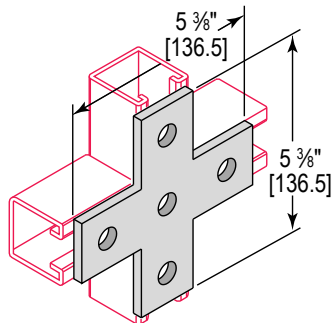
- Standard finish is Zinc Electroplate



Part #	Bolt Size		Box Qty
	in	mm	
SWN025EG	1/4	6	100
SWN037EG	3/8	8	100
SWN050EG	1/2	12	100
SWN062EG	5/8	16	100
SWN075EG	3/4	20	100

5 HOLE CROSS PLATE

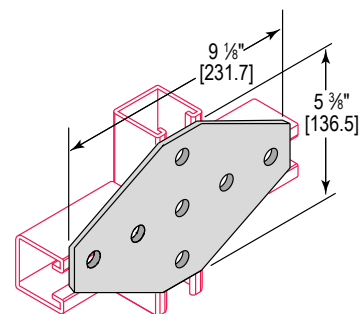
- Standard finish is Zinc Electroplate



Part #	Box Qty
XP5HEG	50

7 HOLE CROSS GUSSET PLATE

- Standard finish is Zinc Electroplate



Part #	Box Qty
XGP7HEG	25

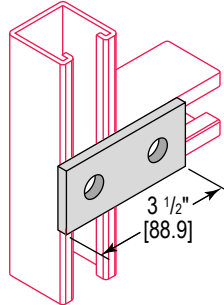
- Holes are 9/16 diameter, 13/16 center to edge on 1 7/8 centers unless specified

Flat Fittings



2 HOLE SPLICE PLATE

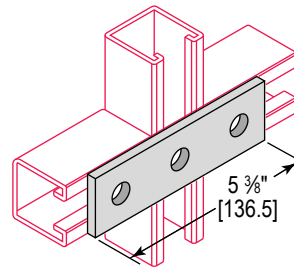
- Standard finish is Zinc Electroplate



Part #	Box Qty
SP2HEG	50

3 HOLE SPLICE PLATE

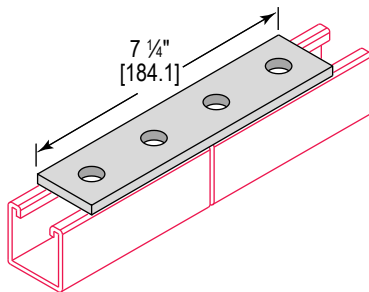
- Standard finish is Zinc Electroplate



Part #	Box Qty
SP3HEG	25

4 HOLE SPLICE PLATE

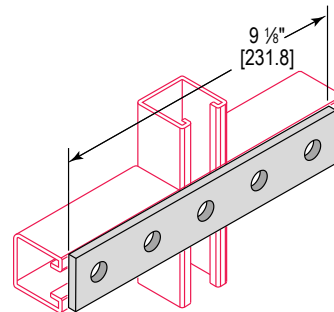
- Standard finish is Zinc Electroplate



Part #	Box Qty
SP4HEG	25

5 HOLE SPLICE PLATE

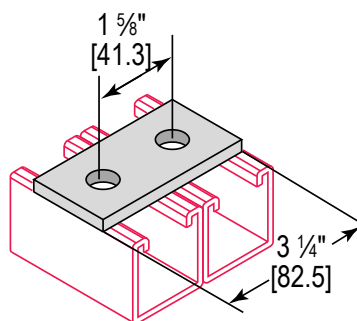
- Standard finish is Zinc Electroplate



Part #	Box Qty
SP5HEG	25

2 HOLE SPLICE PLATE PARALLEL

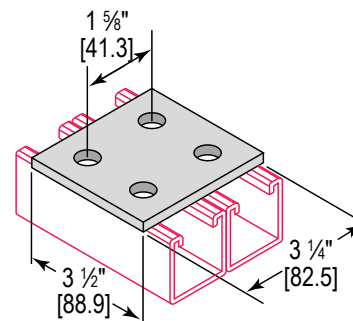
- Standard finish is Zinc Electroplate



Part #	Box Qty
SPP2HEG	50

4 HOLE SPLICE PLATE PARALLEL

- Standard finish is Zinc Electroplate



Part #	Box Qty
SPP4HEG	25

- Holes are 9/16 diameter, 13/16 center to edge on 1 7/8 centers unless specified

Pictorial Index
Channel Nuts
Hardware
Strut Clamps
Flat Fittings
Angle Fittings
Beam Clamps
Brackets
Concrete Inserts
Electrical
Post Bases
Rollers
U Fittings
Wing Fittings
Z Fittings
Alphabetical Index

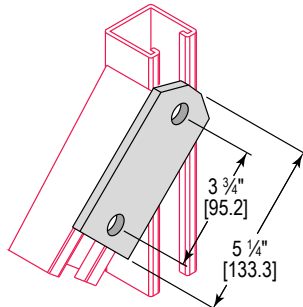


Flat Fittings



2 HOLE SPLICE SWIVEL PLATE

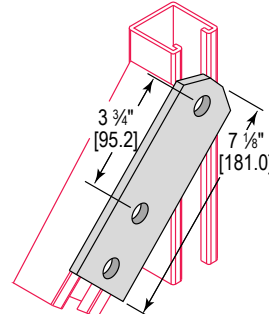
- Standard finish is Zinc Electroplate



Part #	Box Qty
SWP2HEG	25

3 HOLE SWIVEL PLATE

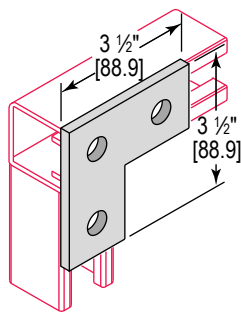
- Standard finish is Zinc Electroplate



Part #	Box Qty
SWP3HEG	25

3 HOLE CORNER PLATE

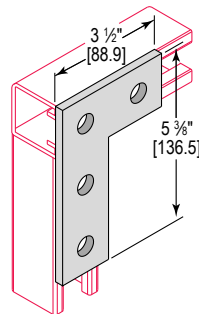
- Standard finish is Zinc Electroplate



Part #	Box Qty
CP3HEG	25

4 HOLE CORNER PLATE

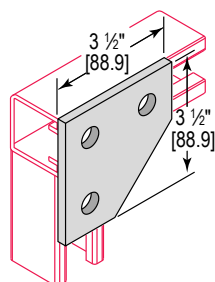
- Standard finish is Zinc Electroplate



Part #	Box Qty
CP4HEG	20

3 HOLE CORNER GUSSET PLATE

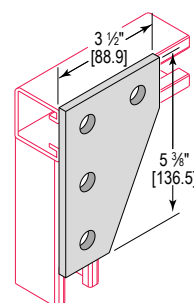
- Standard finish is Zinc Electroplate



Part #	Box Qty
CGP3HEG	25

4 HOLE CORNER GUSSET PLATE

- Standard finish is Zinc Electroplate



Part #	Box Qty
CGP4HEG	15

- Holes are 9/16 diameter, 13/16 center to edge on 1 7/8 centers unless specified

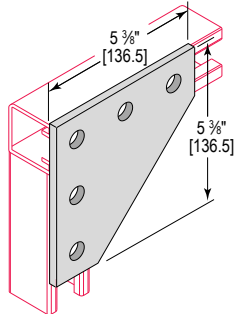


Flat Fittings



5 HOLE CORNER GUSSET PLATE

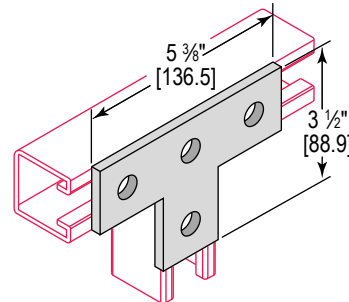
- Standard finish is Zinc Electroplate



Part #	Box Qty
CGP5HEG	10

4 HOLE TEE PLATE

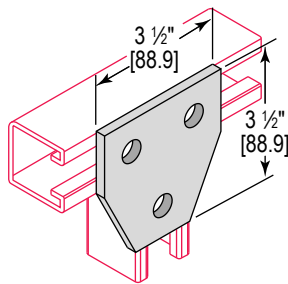
- Standard finish is Zinc Electroplate



Part #	Box Qty
TP4HEG	20

3 HOLE TEE GUSSET PLATE

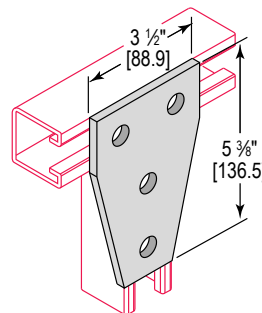
- Standard finish is Zinc Electroplate



Part #	Box Qty
TGP3HEG	25

4 HOLE TEE GUSSET PLATE

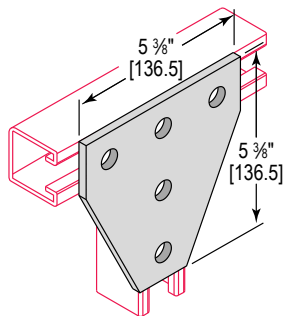
- Standard finish is Zinc Electroplate



Part #	Box Qty
TGP4HEG	20

5 HOLE TEE GUSSET PLATE

- Standard finish is Zinc Electroplate



Part #	Box Qty
TGP5HEG	10

- Holes are $\frac{9}{16}$ diameter, $1\frac{3}{16}$ center to edge on $1\frac{7}{8}$ centers unless specified

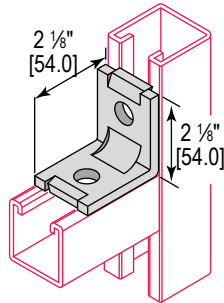
Pictorial Index
Channel Nuts
Hardware
Strut Clamps
Flat Fittings
Angle Fittings
Beam Clamps
Brackets
Concrete Inserts
Electrical
Post Bases
Rollers
U Fittings
Wing Fittings
Z Fittings
Alphabetical Index

Angle Fittings



2 HOLE NO TWIST CORNER ANGLE

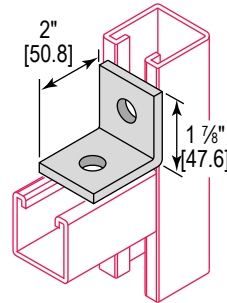
- Standard finish is Zinc Electroplate



Part #	Box Qty
CANT2HEG	50

2 HOLE CORNER ANGLE

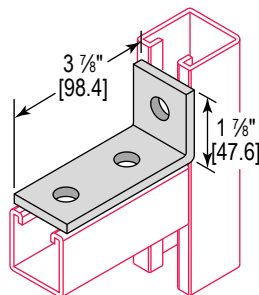
- Standard finish is Zinc Electroplate



Part #	Box Qty
CA2HEG	50

3 HOLE CORNER ANGLE

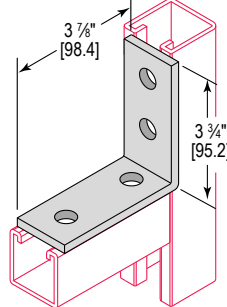
- Standard finish is Zinc Electroplate



Part #	Box Qty
CA3HEG	25

4 HOLE CORNER ANGLE

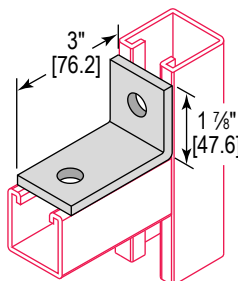
- Standard finish is Zinc Electroplate



Part #	Box Qty
CA4HEG	25

2 HOLE 3" CORNER ANGLE

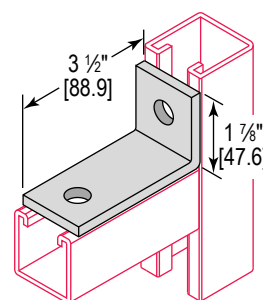
- Standard finish is Zinc Electroplate



Part #	Box Qty
CA2H3LEG	25

2 HOLE 3-1/2" CORNER ANGLE

- Standard finish is Zinc Electroplate



Part #	Box Qty
CA2H350LEG	25

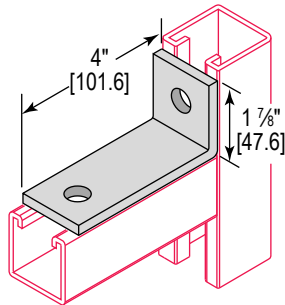
- Holes are 9/16 diameter, 13/16 center to edge on 1 7/8 centers unless specified

Angle Fittings



2 HOLE 4" CORNER ANGLE

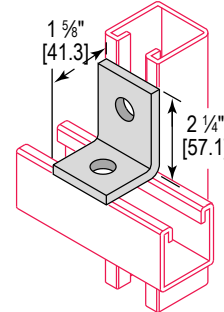
- Standard finish is Zinc Electroplate



Part #	Box Qty
CA2H4LEG	25

2 HOLE CROSS CORNER ANGLE

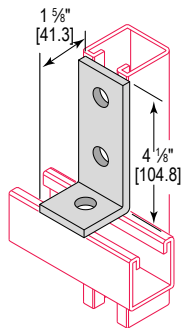
- Standard finish is Zinc Electroplate



Part #	Box Qty
CAX2HEG	50

3 HOLE CORNER ANGLE

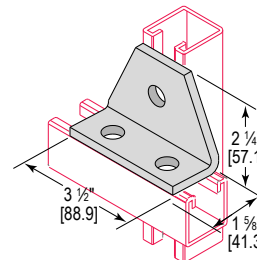
- Standard finish is Zinc Electroplate



Part #	Box Qty
CA3HLEG	25

3 HOLE CROSS GUSSET CORNER ANGLE

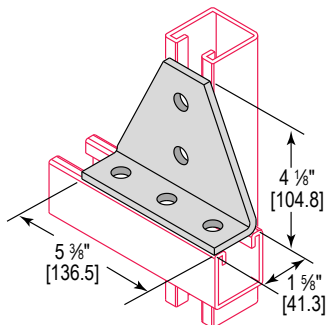
- Standard finish is Zinc Electroplate



Part #	Box Qty
CAGX3HEG	25

5 HOLE CROSS GUSSET CORNER ANGLE

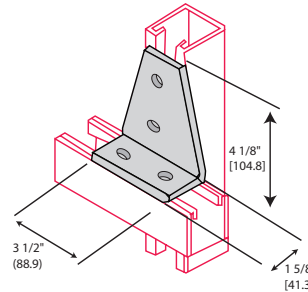
- Standard finish is Zinc Electroplate



Part #	Box Qty
CAGX5HEG	20

4 HOLE ANGLE

- Standard finish is Zinc Electroplate



Part #	Box Qty
CAP4HEG	20

- Holes are 9/16 diameter, 13/16 center to edge on 1 7/8 centers unless specified

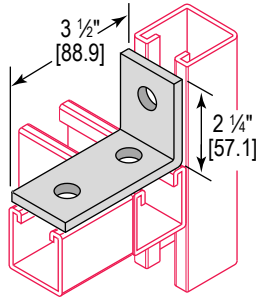
- Pictorial Index
- Channel Nuts
- Hardware
- Strut Clamps
- Flat Fittings
- Angle Fittings
- Beam Clamps
- Brackets
- Concrete Inserts
- Electrical
- Post Bases
- Rollers
- U Fittings
- Wing Fittings
- Z Fittings
- Alphabetical Index

Angle Fittings



3 HOLE 3 WAY CORNER ANGLE

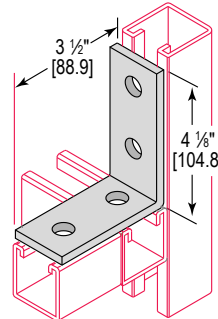
- Standard finish is Zinc Electroplate



Part #	Box Qty
CA3H3WEG	25

4 HOLE 3 WAY CORNER ANGLE

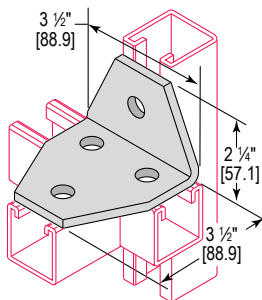
- Standard finish is Zinc Electroplate



Part #	Box Qty
CA4H3WEG	25

4 HOLE 3 WAY GUSSET CORNER ANGLE

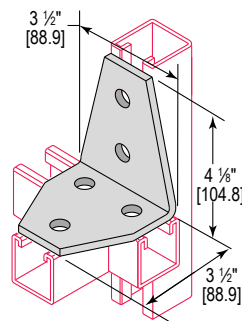
- Standard finish is Zinc Electroplate



Part #	Box Qty
CAG4H3WEG	10

5 HOLE 3 WAY GUSSET CORNER ANGLE

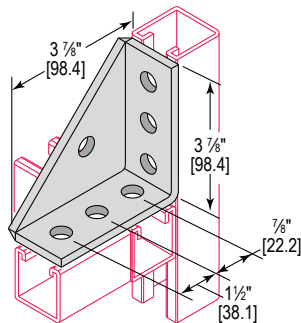
- Standard finish is Zinc Electroplate



Part #	Box Qty
CAG5H3WEG	10

7 HOLE UNIV. GUSSET CORNER ANGLE

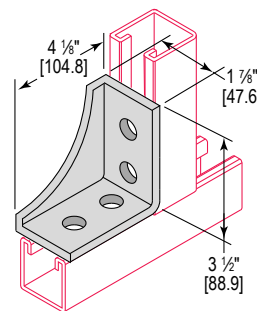
- Standard finish is Zinc Electroplate



Part #	Box Qty
CAUG7HEG	20

4 HOLE GUSSET CORNER ANGLE LEFT

- Standard finish is Zinc Electroplate



Part #	Box Qty
CAGL4HEG	10

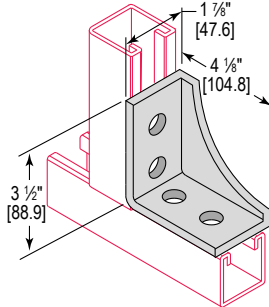
- Holes are 9/16 diameter, 13/16 center to edge on 1 7/8 centers unless specified

Angle Fittings



4 HOLE GUSSET CORNER ANGLE RIGHT

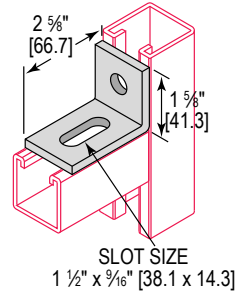
- Standard finish is Zinc Electroplate



Part #	Box Qty
CAGR4HEG	10

2 HOLE 2-5/8" ADJUST. CORNER ANGLE

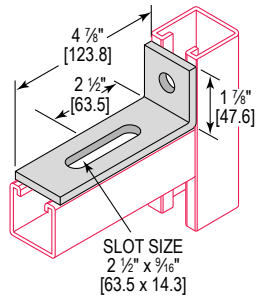
- Standard finish is Zinc Electroplate



Part #	Box Qty
CAA2H262EG	25

2 HOLE 4-7/8" ADJUST. CORNER ANGLE

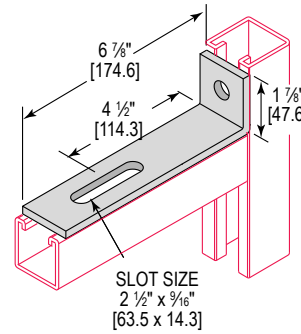
- Standard finish is Zinc Electroplate



Part #	Box Qty
CAA2H487EG	25

2 HOLE 6-7/8" ADJUST. CORNER ANGLE

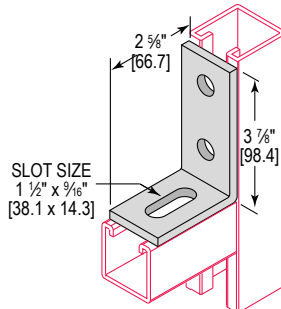
- Standard finish is Zinc Electroplate



Part #	Box Qty
CAA2H687EG	25

3 HOLE ADJUSTABLE CORNER ANGLE

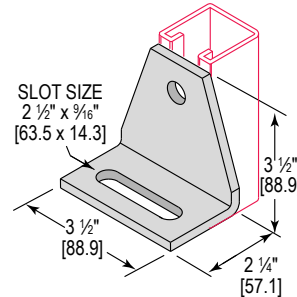
- Standard finish is Zinc Electroplate



Part #	Box Qty
CAA3H262EG	25

2 HOLE ADJUST. GUSSET CORNER ANGLE

- Standard finish is Zinc Electroplate



Part #	Box Qty
CAAG2HEG	20

- Holes are 9/16 diameter, 13/16 center to edge on 1 7/8 centers unless specified

Pictorial Index
Channel Nuts
Hardware
Strut Clamps
Flat Fittings
Angle Fittings
Beam Clamps
Brackets
Concrete Inserts
Electrical
Post Bases
Rollers
U Fittings
Wing Fittings
Z Fittings
Alphabetical Index

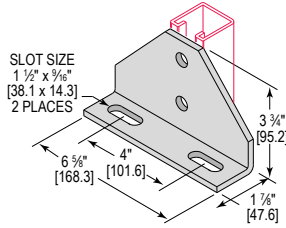
Angle Fittings

• Holes are $\frac{9}{16}$ diameter, $\frac{13}{16}$ center to edge on $1\frac{7}{8}$ centers unless specified



4 HOLE ADJUST. GUSSET CORNER ANGLE

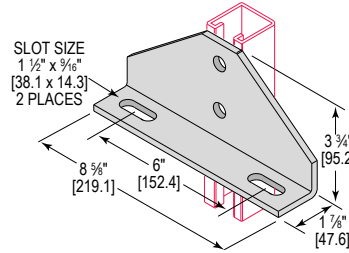
• Standard finish is Zinc Electroplate



Part #	Box Qty
CAAG4H662EG	10

4 HOLE ADJUSTABLE CORNER ANGLE

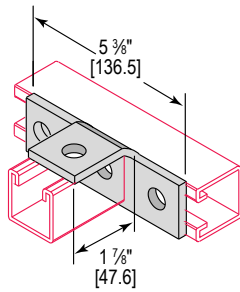
• Standard finish is Zinc Electroplate



Part #	Box Qty
CAA4H862EG	10

4 HOLE OFFSET CORNER ANGLE

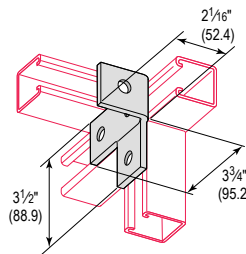
• Standard finish is Zinc Electroplate



Part #	Box Qty
CAOFF4HEG	25

4 HOLE OFFSET BENT TEE (LEFT HAND)

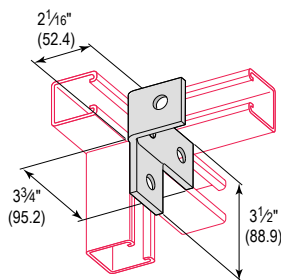
• Standard finish is Zinc Electroplate



Part #	Box Qty
CAOFF4HLEG	25

4 HOLE OFFSET BENT TEE (RIGHT HAND)

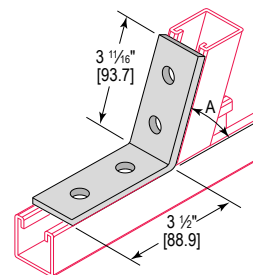
• Standard finish is Zinc Electroplate



Part #	Box Qty
CAOFF4HREG	25

4 HOLE OPEN 45 DEGREE CORNER ANGLE

• Standard finish is Zinc Electroplate



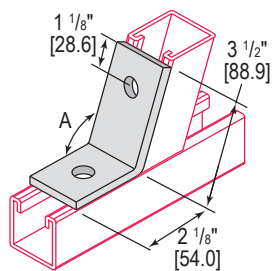
Part #	Box Qty
CAO4H45EG	25

* "A" is available in any angle up to 90°

Dimensions shown may vary based on specified angle "A"

2 HOLE OPEN 45 DEGREE CORNER ANGLE

• Standard finish is Zinc Electroplate



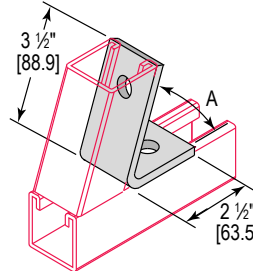
Part #	Box Qty
CAO2H45EG	25

* "A" is available in any angle up to 90°

Dimensions shown may vary based on specified angle "A"

2 HOLE CLOSED 45 DEGREE CORNER ANGLE

• Standard finish is Zinc Electroplate



Part #	Box Qty
CAC2H45EG	25

* "A" is available in any angle up to 90°

Dimensions shown may vary based on specified angle "A"

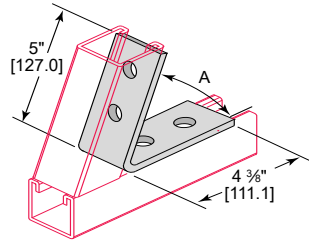
Angle Fittings

• Holes are $\frac{9}{16}$ diameter, $\frac{13}{16}$ center to edge on $1\frac{7}{8}$ centers unless specified



4 HOLE CLOSED 45 DEGREE CORNER ANGLE

• Standard finish is Zinc Electroplate



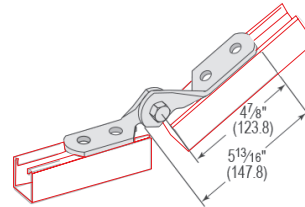
* "A" is available in any angle up to 90°

Dimensions shown may vary based on specified angle "A"

Part #	Box Qty
CAC4H45EG	25

4 HOLE ADJUSTABLE CORNER ANGLE

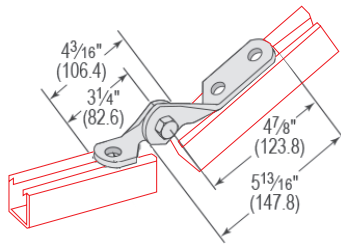
• Standard finish is Zinc Electroplate



Part #	Box Qty
CAA4HEG	25

3 HOLE ADJUSTABLE CORNER ANGLE

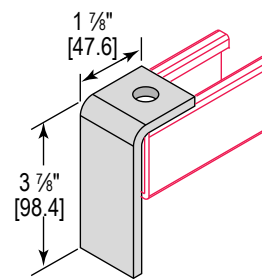
• Standard finish is Zinc Electroplate



Part #	Box Qty
CAA3H50EG	25

1 HOLE 3-7/8" CORNER ANGLE

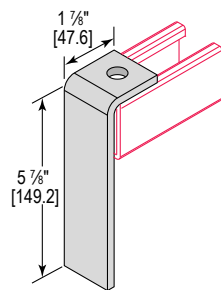
• Standard finish is Zinc Electroplate



Part #	Box Qty
CA1H387EG	50

1 HOLE 5-7/8" CORNER ANGLE

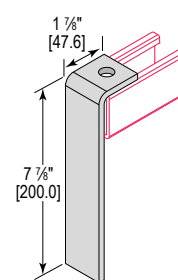
• Standard finish is Zinc Electroplate



Part #	Box Qty
CA1H587EG	25

1 HOLE 7-7/8" CORNER ANGLE

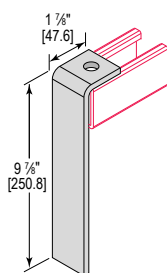
• Standard finish is Zinc Electroplate



Part #	Box Qty
CA1H787EG	25

1 HOLE 9-7/8" CORNER ANGLE

• Standard finish is Zinc Electroplate



Part #	Box Qty
CA1H987EG	25

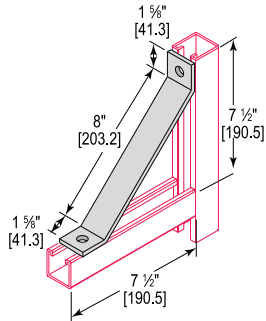
Pictorial Index
Channel Nuts
Hardware
Strut Clamps
Flat Fittings
Angle Fittings
Beam Clamps
Brackets
Concrete Inserts
Electrical
Post Bases
Rollers
U Fittings
Wing Fittings
Z Fittings
Alphabetical Index

Angle Fittings



8" ANGLE BRACE

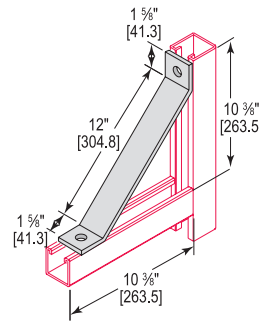
- Standard finish is Zinc Electroplate



Part #	Box Qty
AB8EG	EA

12" ANGLE BRACE

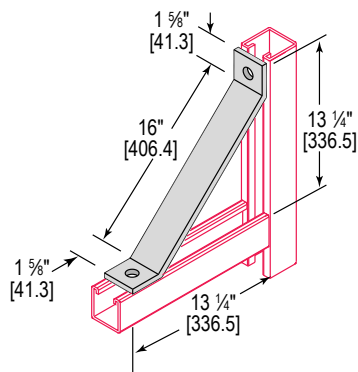
- Standard finish is Zinc Electroplate



Part #	Box Qty
AB12EG	EA

16" ANGLE BRACE

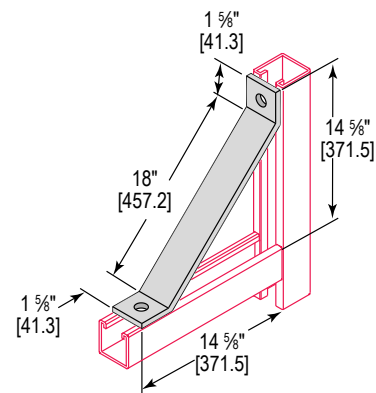
- Standard finish is Zinc Electroplate



Part #	Box Qty
AB16EG	EA

18" ANGLE BRACE

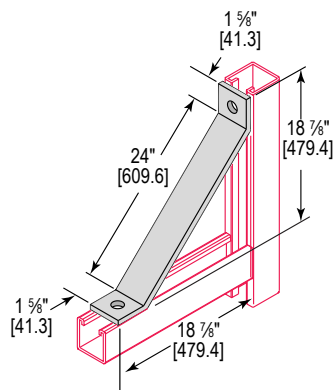
- Standard finish is Zinc Electroplate



Part #	Box Qty
AB18EG	EA

24" ANGLE BRACE

- Standard finish is Zinc Electroplate



Part #	Box Qty
AB24EG	EA

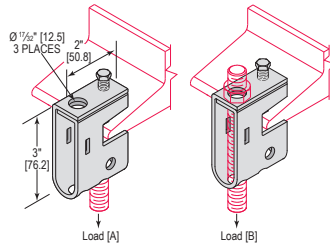
- Holes are 9/16 diameter, 13/16 center to edge on 1 7/8 centers unless specified

Beam Clamps



BEAM CLAMP FORMED STEEL

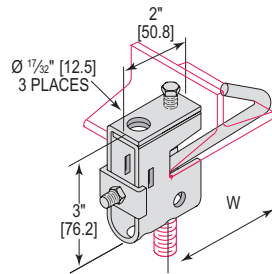
- Maximum rod size 1/2"
- Maximum flange thickness 3/4"
- Standard finish is Zinc Electroplate



Part #	Design Load				Box Qty
	Position A		Position B		
	lbs	kN	lbs	kN	
BC075EG	500	2.22	300	1.33	25

BEAM CLAMP WITH J HOOK

- Maximum rod size 1/2"
- Maximum flange thickness 3/4"
- Design Loads same as BC075EG
- Standard finish is Zinc Electroplate



Part #	W		Box Qty
	in	mm	
BCJH036EG	3 thru 6	76 thru 152	25
BCJH069EG	6 thru 9	152 thru 228	25
BCJH912EG	9 thru 12	228 thru 305	25

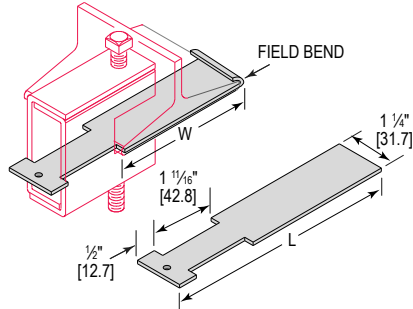
- Pictorial Index
- Channel Nuts
- Hardware
- Strut Clamps
- Flat Fittings
- Angle Fittings
- Beam Clamps
- Brackets
- Concrete Inserts
- Electrical
- Post Bases
- Rollers
- U Fittings
- Wing Fittings
- Z Fittings
- Alphabetical Index

Beam Clamps



BEAM CLAMP ANCHOR STRAP

- Standard finish is Zinc Electroplate



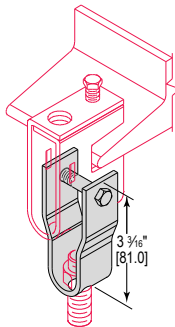
Part #	W* (max)		L		Box Qty
	in	mm	in	mm	
BCAS6EG	6	228	9	152	50
BCAS9EG	9	305	12	228	50
BCAS12EG	12	381	15	305	50
BCAS15EG	15	457	18	381	50

* For beam flange greater than 3/4" (19mm) thick use next larger flange width size

BEAM CLAMP SWIVEL ADAPTOR FOR BC075EG

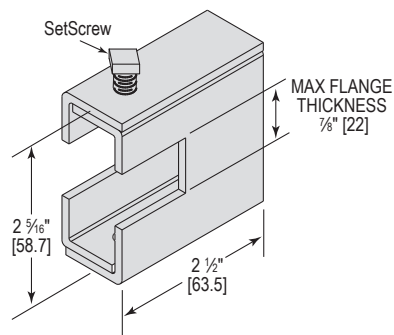
- For use with 1/4", 3/8" or 1/2" rod
- Design load is 500 lbs (2.22 kN)
- Standard finish is Zinc Electroplate

Part #	Box Qty
BCSA	25



FORMED STEEL BEAM CLAMP

- Standard finish is Zinc Electroplate



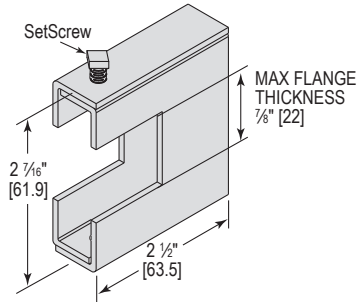
Part #	Rod Size	Set Screw	Design Load		Box Qty
			lbs	kN	
BC3787EG	3/8"	3/8"-16"	650	2.89	20
BC5087EG	1/2"	1/2"-13"	1,100	2.89	20

Beam Clamps



FORMED STEEL HEAVY DUTY BEAM CLAMP

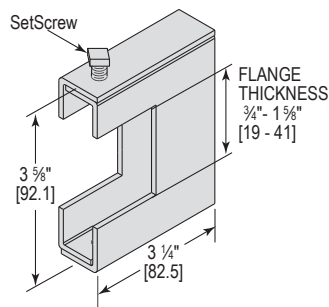
- Standard finish is Zinc Electroplate



Part #	Rod Size	Set Screw	Design Load		Box Qty
	in		lbs	kN	
BCHD3787EG	3/8	1/2"-13"	1100	4.89	20
BCHD5087EG	1/2	1/2"-13"	1100	4.89	20
BCHD6287EG	5/8	1/2"-13"	1100	4.89	20

FORMED STEEL HEAVY DUTY BEAM CLAMP

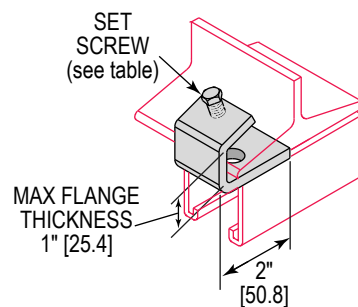
- Standard finish is Zinc Electroplate



Part #	Rod Size	Set Screw	Design Load		Box Qty
	in		lbs	kN	
BCHD37162EG	3/8	1/2"-13"	1100	4.89	20
BCHD50162EG	1/2	1/2"-13"	1100	4.89	20
BCHD62162EG	5/8	1/2"-13"	1100	4.89	20

BEAM CLAMP TO STRUT C-TYPE

- Standard finish is Zinc Electroplate



Part #	Set Screw	Material Thickness		Design Load		Box Qty
		in	mm	lbs	kN	
BCSC251EG	3/8"-16"	1/4	6.3	550	2.45	25
BCSC371EG	1/2"-13"	3/8	9.5	1000	4.45	25

- Pictorial Index
- Channel Nuts
- Hardware
- Strut Clamps
- Flat Fittings
- Angle Fittings
- Beam Clamps
- Brackets
- Concrete Inserts
- Electrical
- Post Bases
- Rollers
- U Fittings
- Wing Fittings
- Z Fittings
- Alphabetical Index

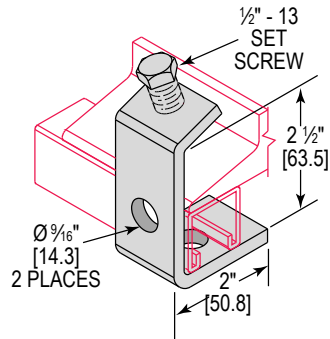
Beam Clamps



BEAM CLAMP TO STRUT C-TYPE PARALLEL

- 3/8" material thickness
- Design load 1000 lbs when used in pairs
- Standard finish is Zinc Electroplate

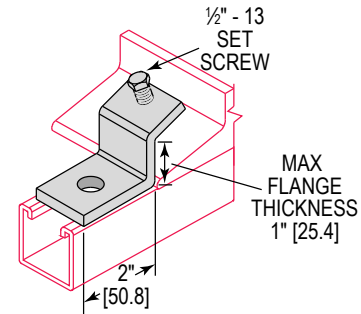
Part #	Box Qty
BCSCP37250EG	25



BEAM CLAMP TO STRUT Z-TYPE

- 3/8" material thickness
- Design load 600 lbs when used in pairs
- Standard finish is Zinc Electroplate

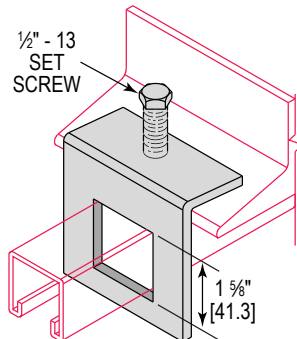
Part #	Box Qty
BCSZ371EG	25



BEAM CLAMP TO STRUT WINDOW TYPE

- Design load 950 lbs when used in pairs
- Standard finish is Zinc Electroplate

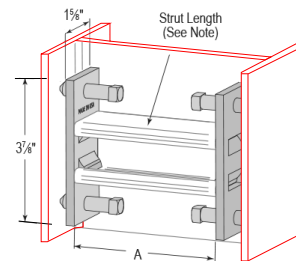
Part #	Box Qty
BCSW	20



BEAM CLAMP TO STRUT SPREADER CAPS

- Includes 2 adjustable caps
- Use with 12 gauge strut
- Cut strut length 1-1/4" to 1-5/8" shorter than the average distance between flanges (Dimension "A")
- Design load 1000 lbs (2.22 kN) when used as a set
- Standard finish is Zinc Electroplate

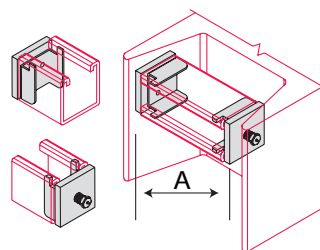
Part #	Box Qty
BCSSCHDEG	25



BEAM CLAMP TO STRUT SPREADER CAPS

- Includes 1 adjustable cap and 1 nonadjustable cap
- Use with 12 gauge strut
- Cut strut length 1-1/4" to 1-5/8" shorter than the average distance between flanges (Dimension "A")
- Design load 500 lbs (2.22 kN) when used as set
- Standard finish is Zinc Electroplate

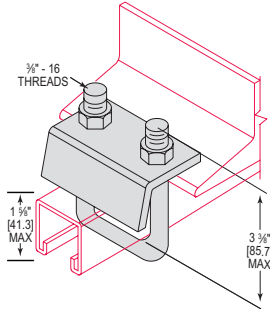
Part #	Box Qty
BCSSCEG	25



Beam Clamps



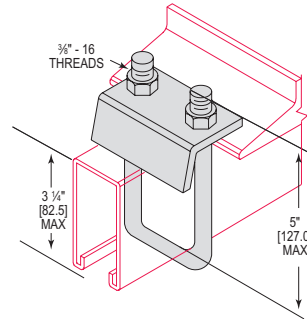
BEAM CLAMP TO STRUT WITH U-BOLT



- For 1³/₁₆" and 1-⁵/₈" channel
- For use with flanges up to 3/4" [19.1] thick
- Design load 1200 lbs (5.34 kN) when used in pairs
- Standard finish is Zinc Electroplate

Part #	Box Qty
BCSU162EG	25

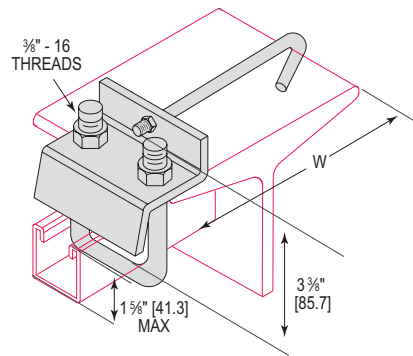
BEAM CLAMP TO STRUT WITH U-BOLT



- For 2-⁷/₁₆" and 3-¹/₄" channel
- For use with flanges up to 3/4" [19.1] thick
- Design load 1200 lbs (5.34 kN) when used in pairs
- Standard finish is Zinc Electroplate

Part #	Box Qty
BCSU325EG	25

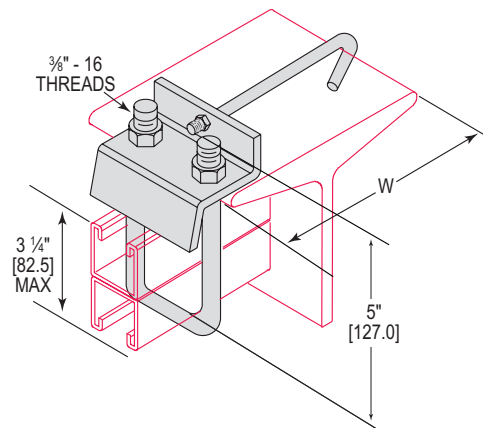
BEAM CLAMP TO STRUT WITH SQUARE U-BOLT AND J-HOOK



- For 1³/₁₆" and 1-⁵/₈" channel
- For use with flanges up to 3/4" [19.1] thick
- Standard finish is Zinc Electroplate

Part #	W		Box Qty
	in	mm	
BCSUJ162SEG	4 to 6	101 to 152	25
BCSUJ162MEG	6 to 9	152 to 228	25
BCSUJ162LEG	9 to 12	228 to 305	25

BEAM CLAMP TO STRUT WITH SQUARE U-BOLT AND J-HOOK



- For 2-⁷/₁₆" & 3-¹/₄" channel
- For use with flanges up to 3/4" [19.1] thick
- Standard finish is Zinc Electroplate

Part #	W		Box Qty
	in	mm	
BCSUJ325SEG	4 TO 6	101 to 152	25
BCSUJ325MEG	6 TO 9	152 to 228	25
BCSUJ325LEG	9 TO 12	228 to 305	25

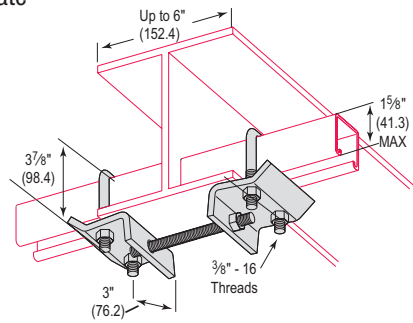
- Pictorial Index
- Channel Nuts
- Hardware
- Strut Clamps
- Flat Fittings
- Angle Fittings
- Beam Clamps
- Brackets
- Concrete Inserts
- Electrical
- Post Bases
- Rollers
- U Fittings
- Wing Fittings
- Z Fittings
- Alphabetical Index

Beam Clamps

BEAM CLAMP TO STRUT DOUBLE

- Double for 1³/₁₆" & 1-⁵/₈" channel
- For use with flanges up to 3/4" [1.91] thick
- Standard finish is Zinc Electroplate

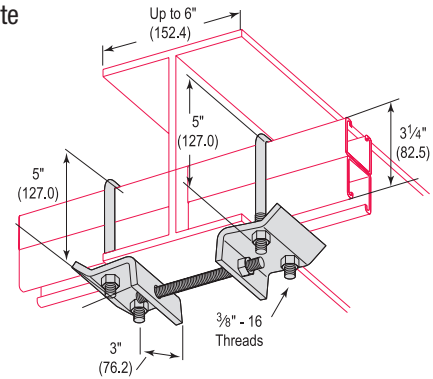
Part #	Box Qty
BCSD162EG	25



BEAM CLAMP TO STRUT DOUBLE

- Double for 2-⁷/₁₆" & 3-¹/₄" channel
- For use with flanges up to 3/4" [1.91] thick
- Standard finish is Zinc Electroplate

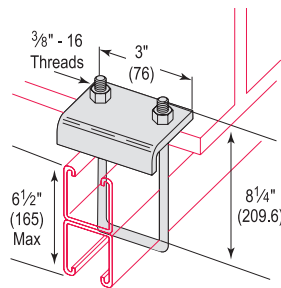
Part #	Box Qty
BCSD325EG	25



BEAM CLAMP TO STRUT WITH U-BOLT

- For use with flanges up to 3/4" [1.91] thick
- Standard finish is Zinc Electroplate

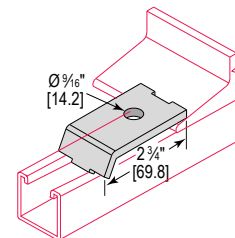
Part #	Box Qty
BCSU650EG	25



BEAM CLAMP TO STRUT NOTCHED TYPE

- Material is 1-⁵/₈" wide x 1/4" thick
- Clamp requires 1/2"-13 HCS and 1/2" channel nut
- Design load 1100 lbs (4.89 kN) when used in pairs
- Standard finish is Zinc Electroplate

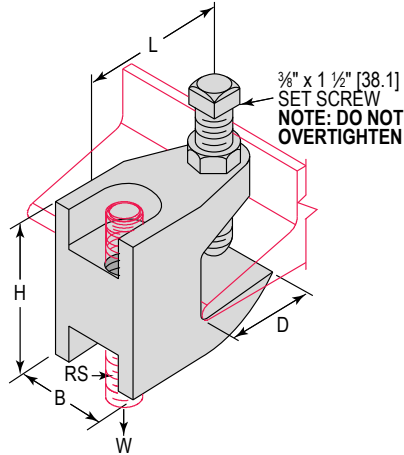
Part #	Box Qty
BCSNTEG	50



Beam Clamps

MALLEABLE IRON UNIVERSAL BEAM CLAMP

- Standard finish is Zinc Electroplate and Plain
- Maximum flange thickness of $\frac{5}{8}$ "
- *Import Item, Call for domestic availability

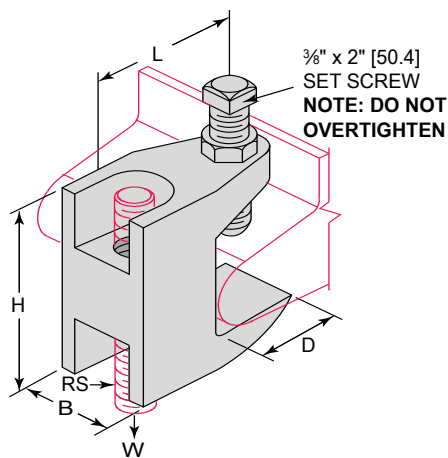


Part #	Rod Size	Max Load		Max Pipe Size		Box Qty
		lbs	kN	in	mm	
BCUM37PL*	$\frac{3}{8}$ "-16	350	1.56	4	100	100
BCUM37EG*	$\frac{3}{8}$ "-16	350	1.56	4	100	100
BCUM50PL*	$\frac{1}{2}$ "-13	470	2.09	4	100	100
BCUM50EG*	$\frac{1}{2}$ "-13	470	2.09	4	100	100
BCUM62PL*	$\frac{5}{8}$ "-11	550	2.45	5	125	50
BCUM62EG*	$\frac{5}{8}$ "-11	550	2.45	5	125	50
BCUM75PL*	$\frac{3}{4}$ "-10	700	3.11	6	150	50
BCUM75EG*	$\frac{3}{4}$ "-10	700	3.11	6	150	50

Part #	B		L		H		D	
	in	mm	in	mm	in	mm	in	mm
BCUM37PL*	$\frac{7}{8}$	22.2	$1-\frac{5}{16}$	33.3	$1-\frac{1}{2}$	38.1	$\frac{1}{2}$	12.7
BCUM37EG*	$\frac{7}{8}$	22.2	$1-\frac{5}{16}$	33.3	$1-\frac{1}{2}$	38.1	$\frac{1}{2}$	12.7
BCUM50PL*	$\frac{7}{8}$	22.2	$1-\frac{5}{16}$	33.3	$1-\frac{1}{2}$	38.1	$\frac{1}{2}$	12.7
BCUM50EG*	$\frac{7}{8}$	22.2	$1-\frac{5}{16}$	33.3	$1-\frac{1}{2}$	38.1	$\frac{1}{2}$	12.7
BCUM62PL*	$1-\frac{1}{8}$	28.6	$1-\frac{3}{4}$	44.5	$1-\frac{3}{4}$	44.5	$\frac{5}{8}$	15.9
BCUM62EG*	$1-\frac{1}{8}$	28.6	$1-\frac{3}{4}$	44.5	$1-\frac{3}{4}$	44.5	$\frac{5}{8}$	15.9
BCUM75PL*	$1-\frac{3}{8}$	34.9	$1-\frac{7}{8}$	47.6	$1-\frac{7}{8}$	47.6	$\frac{5}{8}$	15.9
BCUM75EG*	$1-\frac{3}{8}$	34.9	$1-\frac{7}{8}$	47.6	$1-\frac{7}{8}$	47.6	$\frac{5}{8}$	15.9

WIDE MOUTH MALLEABLE IRON UNIVERSAL BEAM CLAMP

- Standard finish is Zinc Electroplate and Plain
- Maximum flange thickness of $1-\frac{1}{16}$ "
- *Import Item, Call for domestic availability



Part #	Rod Size	Max Load		Max Pipe Size		Box Qty
		lbs	kN	in	mm	
BCUMW37PL*	$\frac{3}{8}$ "-16	400	1.78	4	100	60
BCUMW37EG*	$\frac{3}{8}$ "-16	400	1.78	4	100	60
BCUMW50PL*	$\frac{1}{2}$ "-13	500	2.22	4	100	60
BCUMW50EG*	$\frac{1}{2}$ "-13	500	2.22	4	100	60
BCUMW62PL*	$\frac{5}{8}$ "-11	500	2.22	4	100	40
BCUMW62EG*	$\frac{5}{8}$ "-11	500	2.22	4	100	40

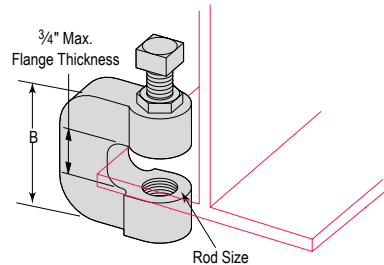
Part #	B		L		H		D	
	in	mm	in	mm	in	mm	in	mm
BCUMW37PL*	$\frac{7}{8}$	22.2	$1-\frac{3}{8}$	34.9	2	50.8	$\frac{1}{2}$	12.7
BCUMW37EG*	$\frac{7}{8}$	22.2	$1-\frac{3}{8}$	34.9	2	50.8	$\frac{1}{2}$	12.7
BCUMW50PL*	$\frac{7}{8}$	22.2	$1-\frac{3}{8}$	34.9	2	50.8	$\frac{1}{2}$	12.7
BCUMW50EG*	$\frac{7}{8}$	22.2	$1-\frac{3}{8}$	34.9	2	50.8	$\frac{1}{2}$	12.7
BCUMW62PL*	$1-\frac{1}{4}$	31.8	$1-\frac{7}{8}$	47.6	$2-\frac{3}{8}$	60.3	$\frac{5}{8}$	15.9
BCUMW62EG*	$1-\frac{1}{4}$	31.8	$1-\frac{7}{8}$	47.6	$2-\frac{3}{8}$	60.3	$\frac{5}{8}$	15.9

- Pictorial Index
- Channel Nuts
- Hardware
- Strut Clamps
- Flat Fittings
- Angle Fittings
- Beam Clamps
- Brackets
- Concrete Inserts
- Electrical
- Post Bases
- Rollers
- U Fittings
- Wing Fittings
- Z Fittings
- Alphabetical Index

Beam Clamps

MALLEABLE IRON C-CLAMP WITH LOCK NUT

- Standard finish is Zinc Electroplate and Plain

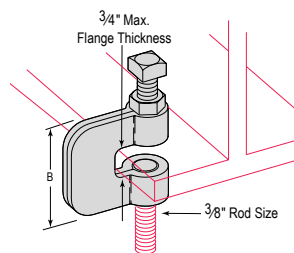


* Import item. Call for domestic availability.

Part #	Rod Size	Dim. "B"	Design Load		Box Qty
			lbs	kN	
BCMC37PL*	3/8"-16"	1-3/4"	400	1.8	100
BCMC37EG*	3/8"-16"	1-3/4"	400	1.8	100
BCMC50PL*	1/2"-13"	1-3/4"	400	1.8	125
BCMC50EG*	1/2"-13"	1-3/4"	400	1.8	125
BCMC62PL*	5/8"-11"	2"	450	2	60
BCMC62EG*	5/8"-11"	2"	450	2	60

PRESSED STEEL C-CLAMP WITH LOCK NUT

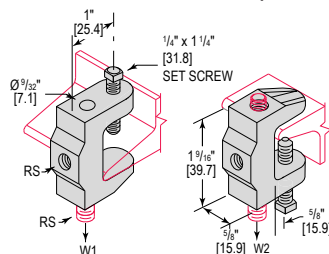
- Standard finish is Zinc Electroplate and Plain



Part #	Dim. "B"	Design Load		Box Qty
		lbs	kN	
BCC37PL	1-3/4"	330	1.5	75
BCC37EG	1-3/4"	330	1.5	75

MALLEABLE IRON UNIVERSAL BEAM CLAMP

- Maximum flange thickness 5/8"
- Standard finish is Zinc Electroplate

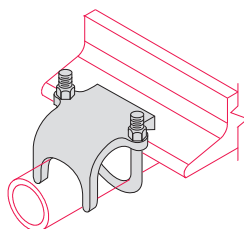


* Import item. Call for domestic availability.

Part #	Rod Size	Max Load W1		Max Load W2		Box Qty
		lbs	kN	lbs	kN	
BCUBM25EG*	1/4"-20"	100	0.44	250	1.11	100

RIGHT ANGLE CLAMP

- Standard finish is Hot-Dip Galvanized



* Import item. Call for domestic availability.

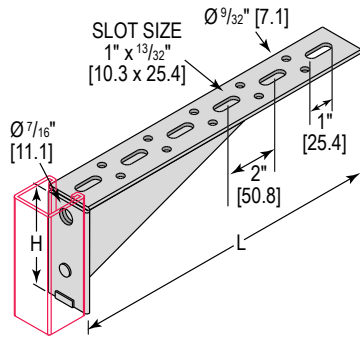
Part #	Pipe Size		Box Qty
	in	mm	
RAC050HDG*	1/2	15	50
RAC075HDG*	3/4	20	50
RAC100HDG*	1	25	50
RAC125HDG*	1-1/4	32	50
RAC150HDG*	1-1/2	40	50

Part #	Pipe Size		Box Qty
	in	mm	
RAC200HDG*	2	50	50
RAC250HDG*	2-1/2	65	25
RAC300HDG*	3	80	10
RAC350HDG*	3-1/2	90	10
RAC400HDG*	4	100	10



SLOTTED SHELF BRACKET LEFT HAND

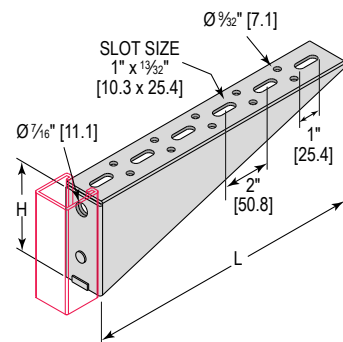
- Uniform load rating 250 lbs (1.11 kN) when mounted on 12 gauge channel
- Standard finish is Zinc Electroplate



Part #	L		H		Box Qty
	in	mm	in	mm	
BRSSL6EG	6	152.4	2-7/8	73	EA
BRSSL8EG	8	203.2	2-7/8	73	EA
BRSSL10EG	10	254	2-7/8	73	EA
BRSSL12EG	12	304.8	3-7/16	87.3	EA
BRSSL14EG	14	355.6	3-15/16	100	EA
BRSSL16EG	16	406.4	4-7/16	112.7	EA
BRSSL18EG	18	457.2	4-15/16	125.4	EA

SLOTTED SHELF BRACKET RIGHT HAND

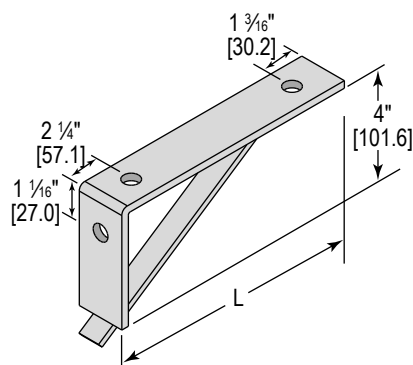
- Uniform load rating 250 lbs (1.11 kN) when mounted on 12 gauge channel
- Standard finish is Zinc Electroplate



Part #	L		H		Box Qty
	in	mm	in	mm	
BRSSR6EG	6	152.4	2-7/8	73	EA
BRSSR8EG	8	203.2	2-7/8	73	EA
BRSSR10EG	10	254	2-7/8	73	EA
BRSSR12EG	12	304.8	3-7/16	87.3	EA
BRSSR14EG	14	355.6	3-15/16	100	EA
BRSSR16EG	16	406.4	4-7/16	112.7	EA
BRSSR18EG	18	457.2	4-15/16	125.4	EA

BRACKET 3 HOLE

- Standard finish is Zinc Electroplate



Part #	L		Uniform Load*		Box Qty
	in	mm	lbs	kN	
BR3H0850EG	8-1/2	215.9	850	3.78	EA
BR3H1050EG	10-1/2	266.7	850	3.78	EA

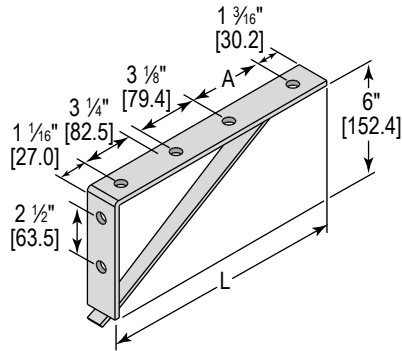
* When mounted on 12 gauge channel

- Pictorial Index
- Channel Nuts
- Hardware
- Strut Clamps
- Flat Fittings
- Angle Fittings
- Beam Clamps
- Brackets
- Concrete Inserts
- Electrical
- Post Bases
- Rollers
- U Fittings
- Wing Fittings
- Z Fittings
- Alphabetical Index



BRACKET 6 HOLE

- Standard finish is Zinc Electroplate

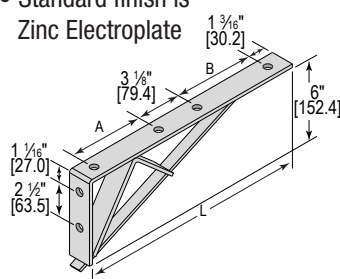


Part #	L		A		Uniform Load*		Box Qty
	in	mm	in	mm	lb	kN	
BR6H1250EG	12-1/2	317.5	3-3/4	95.2	900	4	EA
BR6H1450EG	14-1/2	368.3	5-3/4	146	900	4	EA

* When mounted on 12 gauge channel

BRACKET WITH BRACE 6 HOLE

- Standard finish is Zinc Electroplate

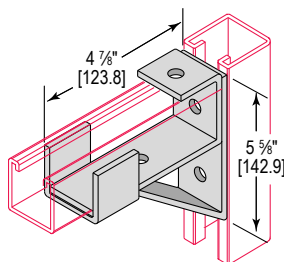


Part #	L		A		B		Uniform Load*		Box Qty
	in	mm	in	mm	in	mm	lbs	kN	
BRB6H1650EG	16-1/2	419.1	5-1/4	133.3	5-3/4	146	1200	5.34	EA
BRB6H1850EG	18-1/2	469.9	5-1/4	133.3	7-3/4	196.8	1100	4.89	EA
BRB6H2050EG	20-1/2	520.7	7-1/4	184.1	7-3/4	196.8	900	4	EA

* When mounted on 12 gauge channel

BRACKET FOR 1-5/8" CHANNEL

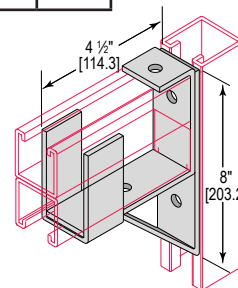
Part #	Box Qty
BRC162EG	EA



- Maximum loading 5800 in. lb. (655 Nm) when mounted on 12 gauge channel
- Max load applies to bracket only, not the strength of the strut arm
- Standard finish is Zinc Electroplate

BRACKET FOR 3-1/4" CHANNEL

Part #	Box Qty
BRC325EG	EA

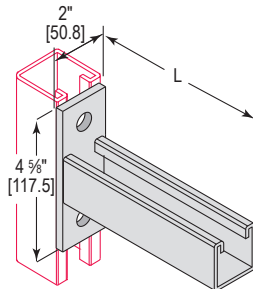


- Maximum loading 12500 in. lb. (1412 Nm) when mounted on 12 gauge channel
- Max load applies to bracket only, not the strength of the strut arm
- Standard finish is Zinc Electroplate



BRACKET CHANNEL FOR 1-5/8" CHANNEL 2 HOLE

- Standard finish is Zinc Electroplate

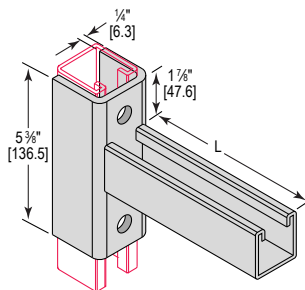


Part #	L		Uniform Load*		Box Qty
	in	mm	lbs	kN	
BRC1626EG	6	152.4	1250	5.56	EA
BRC1629EG	9	228.6	1000	4.45	EA
BRC16212EG	12	304.8	750	3.34	EA
BRC16218EG	18	457.2	500	2.22	EA
BRC16224EG	24	609.6	350	1.56	EA

*When mounted on 12 gauge channel

BRACKET CHANNEL WRAP AROUND 1-5/8" CHANNEL

- Standard finish is Zinc Electroplate

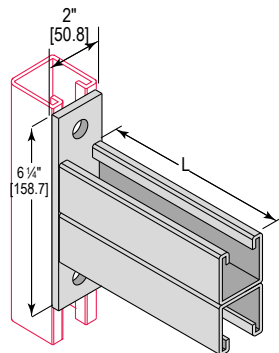


Part #	L		Uniform Load*		Box Qty
	in	mm	lbs	kN	
BRC162W6EG	6	152.4	1250	5.56	EA
BRC162W12EG	12	304.8	1000	4.45	EA
BRC162W18EG	18	457.2	750	3.34	EA
BRC162W24EG	24	609.6	500	2.22	EA

*When mounted on 12 gauge channel

BRACKET CHANNEL 1-5/8" CHANNEL

- Standard finish is Zinc Electroplate



Part #	L		Uniform Load*		Box Qty
	in	mm	lbs	kN	
BRC162D12EG	12	304.8	1800	8.01	EA
BRC162D18EG	18	457.2	1200	5.34	EA
BRC162D24EG	24	609.6	1000	4.45	EA
BRC162D30EG	30	762	800	3.56	EA
BRC162D36EG	36	914.4	660	2.94	EA

*When mounted on 12 gauge channel

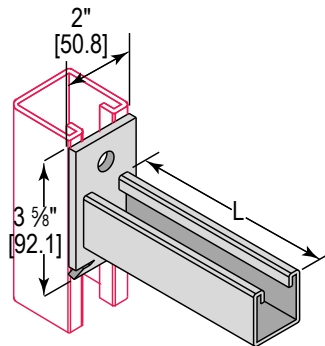
- Pictorial Index
- Channel Nuts
- Hardware
- Strut Clamps
- Flat Fittings
- Angle Fittings
- Beam Clamps
- Brackets
- Concrete Inserts
- Electrical
- Post Bases
- Rollers
- U Fittings
- Wing Fittings
- Z Fittings
- Alphabetical Index

Brackets



BRACKET CHANNEL NOTCHED UP

- Standard finish is Zinc Electroplate

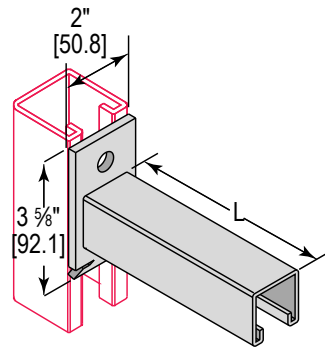


Part #	L		Uniform Load*		Box Qty
	in	mm	lbs	kN	
BRC162NU6EG	6	152.4	1250	5.56	EA
BRC162NU9EG	9	228.6	1000	4.45	EA
BRC162NU12EG	12	304.8	750	3.34	EA
BRC162NU18EG	18	457.2	500	2.22	EA
BRC162NU24EG	24	609.6	350	1.56	EA

*When mounted on 12 gauge channel

BRACKET CHANNEL NOTCHED DOWN

- Standard finish is Zinc Electroplate



Part #.	L		Uniform Load*		Box Qty
	in	mm	lbs	kN	
BRC162ND6EG	6	152.4	1250	5.56	EA
BRC162ND9EG	9	228.6	1000	4.45	EA
BRC162ND12EG	12	304.8	750	3.34	EA
BRC162ND18EG	18	457.2	500	2.22	EA
BRC162ND24EG	24	609.6	350	1.56	EA

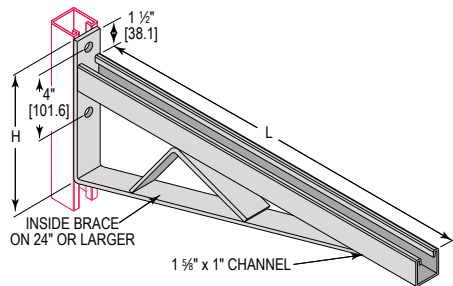
*When mounted on 12 gauge channel

Brackets



BRACKET CHANNEL HEAVY DUTY

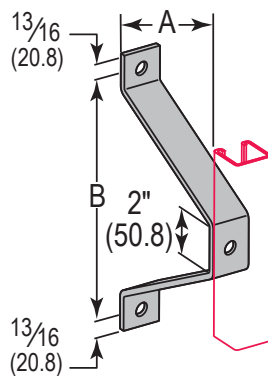
- Standard finish is Zinc Electroplate



Part #	L		H		Uniform Load*		Box Qty
	in	mm	in	mm	lbs	kN	
BRC162B12EG	12	304.8	8-3/4	222.2	1450	6.45	EA
BRC162B18EG	18	457.2	8-3/4	222.2	900	4	EA
BRC162B24EG	24	609.6	8-3/4	222.2	900	4	EA
BRC162B30EG	30	762	11-1/4	285.7	800	3.56	EA
BRC162B36EG	36	914.4	11-1/4	285.7	750	3.34	EA

*When mounted on 12 gauge channel

LADDER BRACKET



- Material is 1-5/8" (41.3) wide x 1/4" (6.3) thick
- Hole centers are 13/16 (20.6)

- from edge on 1-7/8" (47.6) centers
- Standard finish is Zinc Electroplate

Part #	A	B	Box Qty
	in	in	
BRL0237EG	2-3/8	6	20
BRL0437EG	4-3/8	8	20
BRL0637EG	6-3/8	10	20
BRL0837EG	8-3/8	12	20
BRL1037EG	10-3/8	14	EA

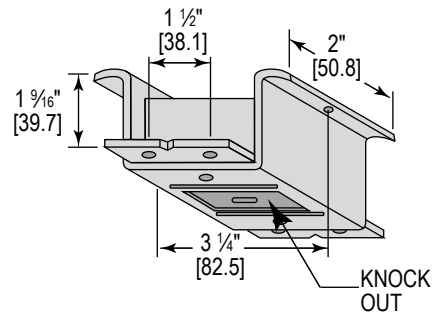
- Pictorial Index
- Channel Nuts
- Hardware
- Strut Clamps
- Flat Fittings
- Angle Fittings
- Beam Clamps
- Brackets
- Concrete Inserts
- Electrical
- Post Bases
- Rollers
- U Fittings
- Wing Fittings
- Z Fittings
- Alphabetical Index

Concrete Inserts



CONCRETE INSERT

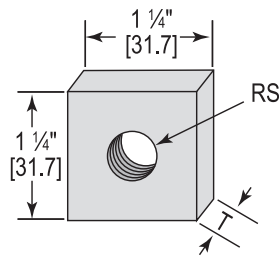
- Standard finish is Yellow Zinc Electroplate



Part #	Design Load		Box Qty
	lbs	kN	
CIEG	600	2.67	25
CIPL	600	2.67	25

CONCRETE INSERT NUT

- Standard finish is Zinc Electroplate and Plain



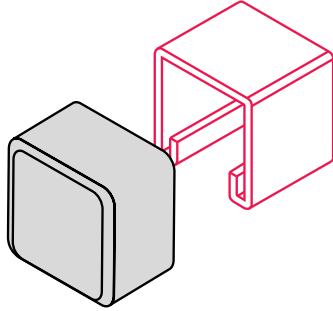
Part #	RS Rod Size	T Thickness	Box Qty
CIN25PL	1/4"-20"	1/4"	100
CIN37PL	3/8"-16"	1/4"	100
CIN50PL	1/2"-13"	5/16"	100
CIN62PL	5/8"-11"	5/16"	100
CIN75PL	3/4"-10"	1/2"	100
CIN87PL	7/8"-9"	1/2"	100
CIN25EG	1/4"-20"	1/4"	100
CIN37EG	3/8"-16"	1/4"	100
CIN50EG	1/2"-13"	5/16"	100
CIN62EG	5/8"-11"	5/16"	100
CIN75EG	3/4"-10"	1/2"	100
CIN87EG	7/8"-9"	1/2"	100



Concrete Inserts



PLASTIC END CAP

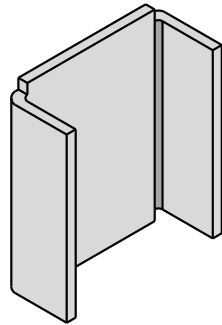


Part #	For Use w/ Channel	Color	Box Qty
ECP81W	1-5/8" x 13/16"	White	100
ECP81R	1-5/8" x 13/16"	Red	100
ECP162W	1-5/8" x 1-5/8"	White	100
ECP162R	1-5/8" x 1-5/8"	Red	100
ECP325W	1-5/8" x 3-1/4"	White	100
ECP325R	1-5/8" x 3-1/4"	Red	100

END CAP

- For 1-5/8" 12 gauge channel
- Standard finish is Zinc Electroplate

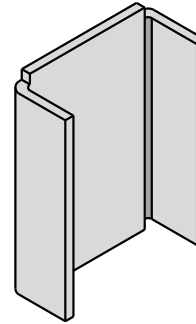
Part #	Box Qty
EC16212GAEG	100



END CAP

- For 1-5/8" 14 gauge channel
- Standard finish is Zinc Electroplate

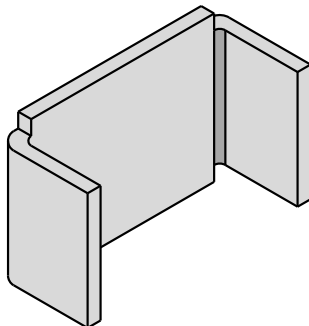
Part #	Box Qty
EC16214GAEG	100



END CAP

- For 13/16" 14 gauge channel
- Standard finish is Zinc Electroplate

Part #	Box Qty
EC8114GAEG	100



- Pictorial Index
- Channel Nuts
- Hardware
- Strut Clamps
- Flat Fittings
- Angle Fittings
- Beam Clamps
- Brackets
- Concrete Inserts
- Electrical
- Post Bases
- Rollers
- U Fittings
- Wing Fittings
- Z Fittings
- Alphabetical Index



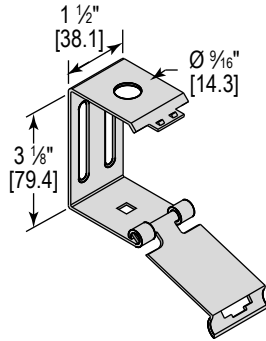
Electrical



HINGED FLUORESCENT FIXTURE HANGING

- For 1-5/8" channel 9/16" hole
- Maximum loading 120 lbs. (0.53 kN)
- Standard finish is Zinc Electroplate

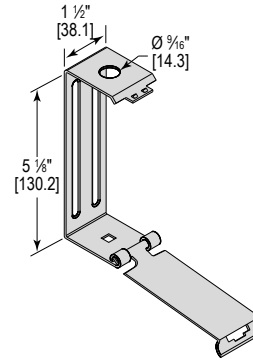
Part #	Box Qty
FH16256EG	20



HINGED FLUORESCENT FIXTURE HANGING

- For 3-1/4" channel 9/16" hole
- Maximum loading 120 lbs. (0.53 kN)
- Standard finish is Zinc Electroplate

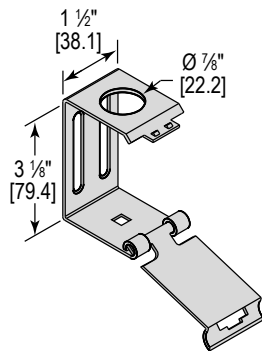
Part #	Box Qty
FH32556EG	10



HINGED FLUORESCENT FIXTURE HANGING

- For 1-5/8" channel 7/8" hole
- Maximum loading 120 lbs. (0.53 kN)
- Standard finish is Zinc Electroplate

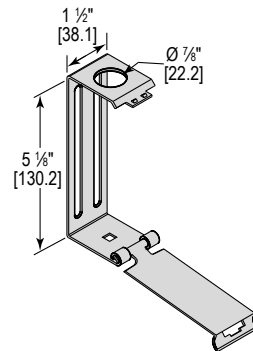
Part #	Box Qty
FH16287EG	20



HINGED FLUORESCENT FIXTURE HANGING

- For 3-1/4" channel 7/8" hole
- Maximum loading 120 lbs. (0.53 kN)
- Standard finish is Zinc Electroplate

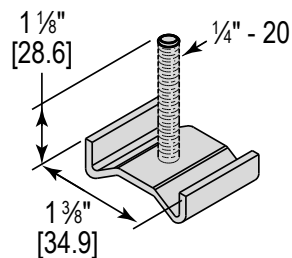
Part #	Box Qty
FH32587EG	10



FIXTURE STUD NUT

- Standard finish is Zinc Electroplate

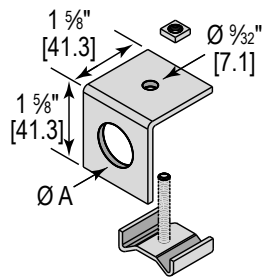
Part #	Box Qty
FSD	100





END CAP KNOCKOUT WITH HARDWARE

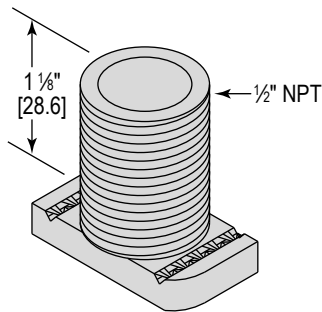
- Standard finish is Zinc Electroplate
- Includes:
 - Qty 1 - FSD Fixture Stud Nut
 - Qty 1 - 1/4 - 20 Square Nut



Part #	ØA		Box Qty
	in	mm	
ECK050EG	1/2	12.7	25
ECK075EG	3/4	19	25

WIRING STUD

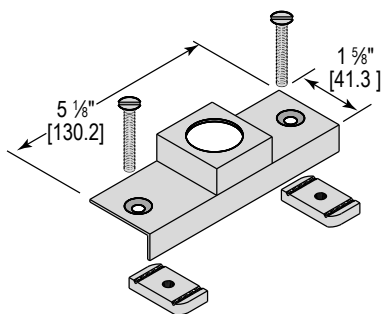
- Standard finish is Zinc Electroplate



Part #	Box Qty
WS	20

CONDUIT CONNECTION PLATE WITH HARDWARE

- Standard finish is Zinc Electroplate
- Includes:
 - Qty 2 - CNN025EG Channel Nuts
 - Qty 2 - 1/4 - 20 Flat Head Machine Screws



Part #	Conduit Size		Box Qty
	in	mm	
CPC50EG	1/2	12.7	25
CPC75EG	3/4	19	25

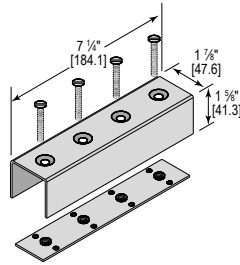
- Pictorial Index
- Channel Nuts
- Hardware
- Strut Clamps
- Flat Fittings
- Angle Fittings
- Beam Clamps
- Brackets
- Concrete Inserts
- Electrical
- Post Bases
- Rollers
- U Fittings
- Wing Fittings
- Z Fittings
- Alphabetical Index



CHANNEL SPLICE ASSEMBLY - TAPPED

- 4 hole assembly
- Includes tapped plate and hardware
- Standard finish is Zinc Electroplate

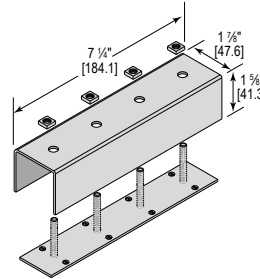
Part #	Box Qty
CSA4HTPEG	20



CHANNEL SPLICE ASSEMBLY - STUD

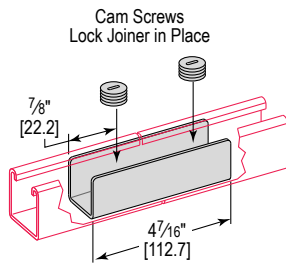
- 4 hole assembly
- Includes stud plate and hardware
- Standard finish Zinc Electroplate

Part #	Box Qty
CSA4HSPEG	20



INSIDE STRUT JOINER

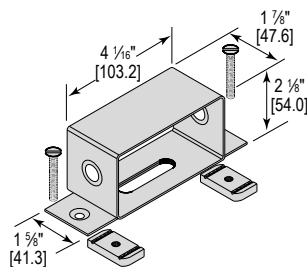
- Standard finish is Zinc Electroplate



Part #	For Use w/ Channel	Box Qty
SJ181EG	1 3/16"	20
SJ1162EG	1 - 5/8"	20

OUTLET BOX BOLT WITH HARDWARE

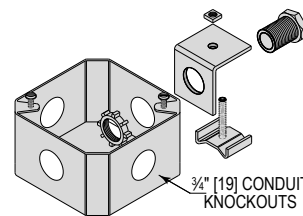
- Standard finish is Zinc Electroplate
- Includes:
 - Qty 2 - CNN025EG Channel Nuts
 - Qty 2 - 1/4" - 20 Flat Head Machine Screws



Part #	Box Qty
OBBD	20

JUNCTION BOX UNIVER. WITH 1 CONNECT

- Standard finish is Zinc Electroplate
- Includes:
 - Qty 1 - ECK075EG
 - Qty 1 - 3/4" - Bushing with Nut

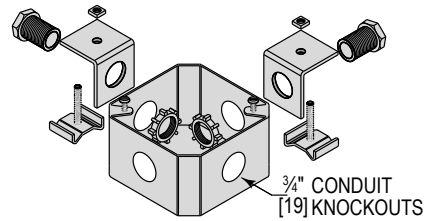


Part #	Box Qty
JBU1EG	EA



JUNCTION BOX UNIVER. WITH 2 CONNECT

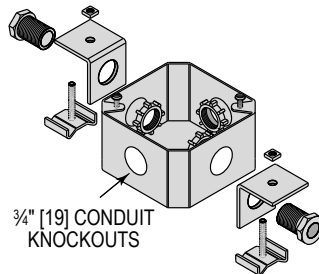
- Connectors at 90 Degrees
- Standard finish is Zinc Electroplate
- Includes:
 - Qty 2 - ECK075EG
 - Qty 2 - 3/4" Bushing with Nut



Part #	Box Qty
JBU290EG	EA

JUNCTION BOX UNIVER. WITH 2 CONNECT

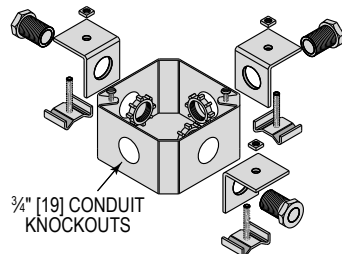
- Connectors at opposite sides
- Standard finish is Zinc Electroplate
- Includes:
 - Qty 2 - ECK075EG
 - Qty 2 - 3/4" Bushing with Nut



Part #	Box Qty
JBU20PEG	EA

JUNCTION BOX UNIVER. WITH 3 CONNECT

- Standard finish is Zinc Electroplate
- Includes:
 - Qty 3 - ECK075EG
 - Qty 3 - 3/4" Bushing with Nut



Part #	Box Qty
JBU3EG	EA

Pictorial Index
Channel Nuts
Hardware
Strut Clamps
Flat Fittings
Angle Fittings
Beam Clamps
Brackets
Concrete Inserts
Electrical
Post Bases
Rollers
U Fittings
Wing Fittings
Z Fittings
Alphabetical Index



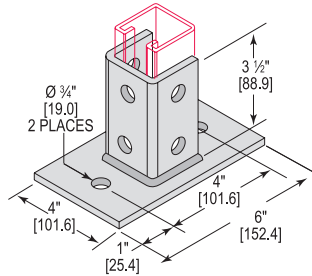
Post Bases



POST BASE SINGLE CHANNEL

- 2 Hole Square 3-1/2"
- Standard finish is Zinc Electroplate

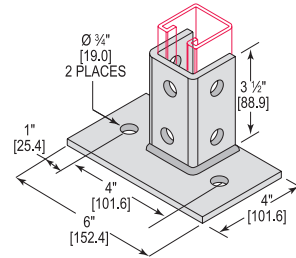
Part #	Box Qty
PBS2H350SQEG	5



POST BASE SINGLE CHANNEL

- 2 Hole Square Flush 3-1/2"
- Standard finish is Zinc Electroplate

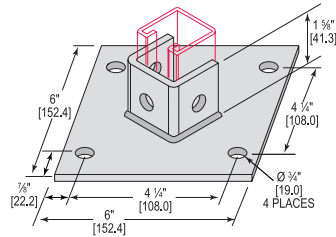
Part #	Box Qty
PBS2H350FLEG	5



POST BASE SINGLE CHANNEL

- 4 Hole Standard 1-5/8"
- Standard finish is Zinc Electroplate

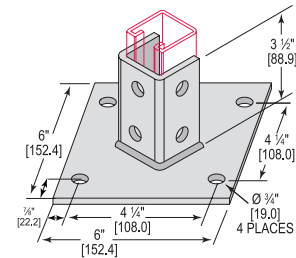
Part #	Box Qty
PBS4H162EG	5



POST BASE SINGLE CHANNEL

- 4 Hole Standard 3-1/2"
- Standard finish is Zinc Electroplate

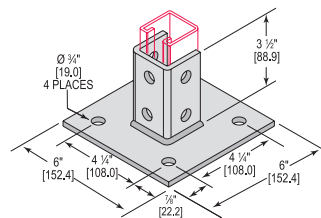
Part #	Box Qty
PBS4H350EG	5



POST BASE SINGLE CHANNEL

- 4 Hole Square 3-1/2"
- Standard finish is Zinc Electroplate

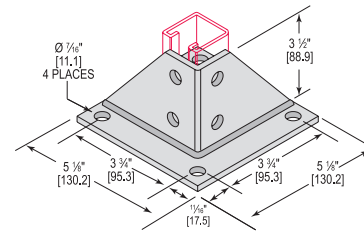
Part #	Box Qty
PBS4H350SQEG	5



POST BASE SINGLE CHANNEL GUSSET

- 4 Hole Square 3-1/2"
- Standard finish is Zinc Electroplate

Part #	Box Qty
PBSG4H350SQEG	5





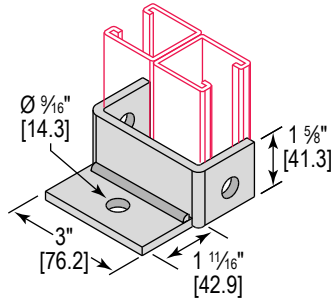
Post Bases



POST BASE DOUBLE CHANNEL

- 1 Hole 1-5/8"
- Standard finish is Zinc Electroplate

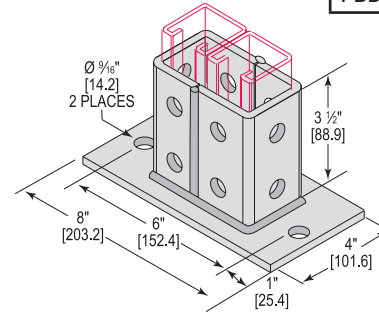
Part #	Box Qty
PBD1H162EG	5



POST BASE DOUBLE CHANNEL

- 2 Hole Square 3-1/2" Boxed
- Standard finish is Zinc Electroplate

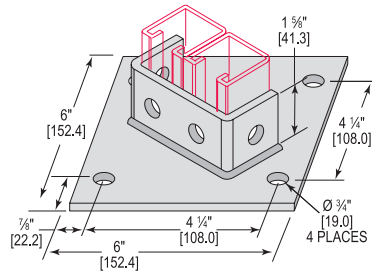
Part #	Box Qty
PBD2H350SQBEG	5



POST BASE DOUBLE CHANNEL

- 4 Hole Standard 1-5/8"
- Standard finish is Zinc Electroplate

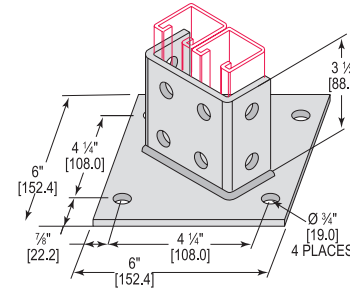
Part #	Box Qty
PBD4H162EG	5



POST BASE DOUBLE CHANNEL

- 4 Hole Standard 3-1/2"
- Standard finish is Zinc Electroplate

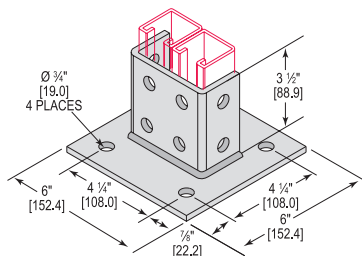
Part #	Box Qty
PBD4H350EG	5



POST BASE DOUBLE CHANNEL

- 4 Hole Square 3-1/2"
- Standard finish is Zinc Electroplate

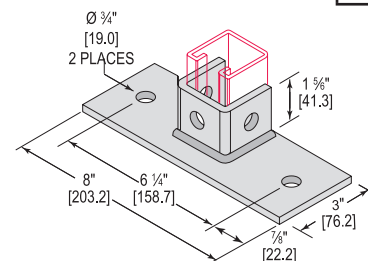
Part #	Box Qty
PBD4H350SQEG	5



POST BASE SINGLE CHANNEL

- 2 Hole Flush 1-5/8"
- Standard finish is Zinc Electroplate

Part #	Box Qty
PBS2H162FLEG	25



Pictorial Index
Channel Nuts
Hardware
Strut Clamps
Flat Fittings
Angle Fittings
Beam Clamps
Brackets
Concrete Inserts
Electrical
Post Bases
Rollers
U Fittings
Wing Fittings
Z Fittings
Alphabetical Index





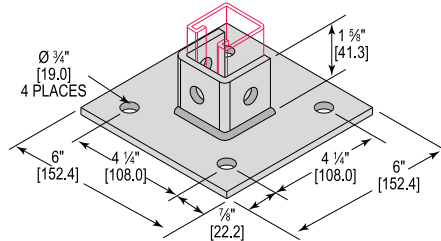
Post Bases



POST BASE SINGLE CHANNEL

- 4 Hole Square 1-5/8"
- Standard finish is Zinc Electroplate

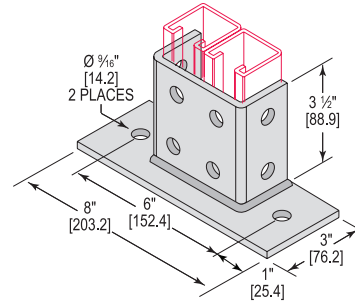
Part #	Box Qty
PBS4H162SQEG	5



POST BASE DOUBLE CHANNEL

- 2 Hole Square Flush 3-1/2"
- Standard finish is Zinc Electroplate

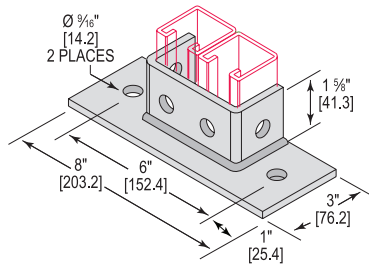
Part #	Box Qty
PBD2H350FLEG	5



POST BASE DOUBLE CHANNEL

- 2 Hole Square Flush 1-5/8"
- Standard finish is Zinc Electroplate

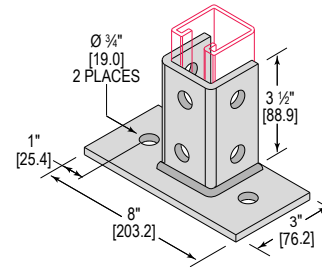
Part #	Box Qty
PBD2H162FLEG	5



POST BASE SINGLE CHANNEL

- 2 Hole Square Flush 3-1/2"
- Standard finish is Zinc Electroplate

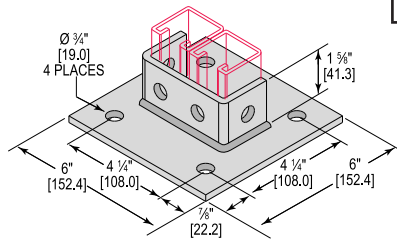
Part #	Box Qty
PBS2H350SQFLEG	5



POST BASE DOUBLE CHANNEL

- 4 Hole Square 1-5/8"
- Standard finish is Zinc Electroplate

Part #	Box Qty
PBD4H162SQEG	5



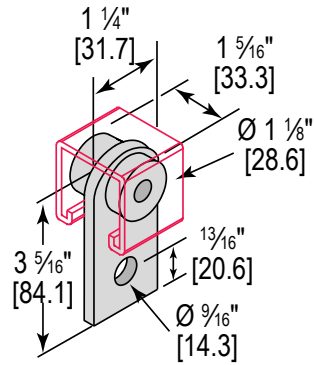


Rollers



ROLLER TROLLEY 2 BEARING ASSEMBLY

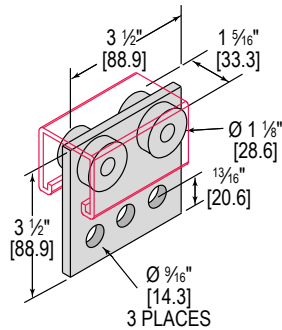
- Stainless steel ball bearings
- Maximum load rating of 300 lbs. (1.33 kN)
- Standard finish is Zinc Electroplate



Part #	Box Qty
RT2BAEG	25

ROLLER TROLLEY 4 BEARING ASSEMBLY

- Stainless steel ball bearings
- Maximum load rating of 600 lbs. (2.67 kN)
- Standard finish is Zinc Electroplate



Part #	Box Qty
RT4BAEG	10

- Pictorial Index
- Channel Nuts
- Hardware
- Strut Clamps
- Flat Fittings
- Angle Fittings
- Beam Clamps
- Brackets
- Concrete Inserts
- Electrical
- Post Bases
- Rollers
- U Fittings
- Wing Fittings
- Z Fittings
- Alphabetical Index



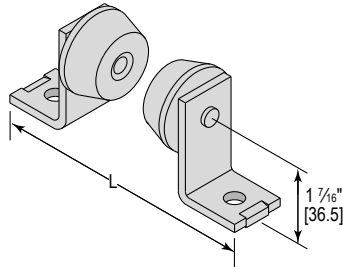


Rollers



PIPE ROLLER 1" TO 4" PIPE

- Maximum load rating of 500 lbs. (2.22 kN) to 750 lbs. (3.34 kN)
- Standard finish is Zinc Electroplate



Part #	Box Qty
PR14EG	5

Part #	Pipe Size		Box Qty
	in	mm	
PR3740EG	3-3/4 - 4	95 - 102	5
PR4360EG	4-3/8 - 6	111 - 152	5
PR6380EG	6-3/8 - 8	162 - 203	5
PR9010EG	9 - 10	229 - 254	5

PIPE ROLLER 1" TO 4" PIPE

- Dimension information for Pipe Rollers

Pipe Size	Pipe Covering Thickness		Actual O.D of Pipe + Shield + Insulation		Dimension L		Dimension CL		
	in	mm	in	mm	in	mm	in	mm	
3/4	0	0.0	1-1/16	27.0	6-1/2	165.1	2-15/16	74.6	
	7/16	22.2	3-1/4	82.6	6-1/2	165.1	4-1/8	104.8	
	1-1/16	36.5	4-3/8	111.1	8-1/4	209.6	4-7/16	112.7	
	1-1/8	47.6	5-3/8	136.5	8-1/4	209.6	4-11/16	125.4	
1	0	0.0	1-9/16	33.3	6-1/2	165.1	3-1/8	79.4	
	1-1/16	27.0	3-5/8	92.1	7-1/4	184.2	4-1/4	108.0	
	1-3/16	39.7	4-3/8	117.5	8-1/4	209.6	4-9/16	115.9	
	2-1/16	54.0	5-3/8	146.1	8-1/4	209.6	5-1/8	130.2	
1-1/4	0.0	0.0	1-11/16	42.9	6-1/2	165.1	3-9/16	84.1	
	7/16	22.2	3-7/8	98.4	7-1/4	184.2	4-3/8	109.5	
	1-5/16	41.3	5-1/8	130.2	8-1/4	209.6	4-13/16	122.2	
	1-11/16	49.2	6	152.4	8-1/4	209.6	5-1/4	133.4	
	2-1/16	61.9	7-1/2	190.5	9-1/4	235.0	5-7/8	149.2	
1-1/2	0	0.0	1-7/8	47.6	6-1/2	165.1	3-3/8	85.7	
	1	25.4	4-1/4	108.0	8-1/4	209.6	4-3/8	111.1	
	1-1/2	38.1	5-1/4	133.4	8-1/4	209.6	4-7/8	123.8	
	2-3/16	58.7	6-3/8	168.3	8-1/4	235.0	5-7/16	138.1	
	2-13/16	71.4	7-3/4	196.9	9-1/4	235.0	6	152.4	
2	0	0.0	2-3/8	60.3	6-1/2	165.1	3-11/16	93.7	
	1-1/16	27.0	4-3/4	120.7	8-1/4	209.6	4-3/8	117.5	
	1-3/16	39.7	5-3/4	146.1	8-1/4	209.6	5-1/8	130.2	
	2-1/16	54.0	7-1/8	181.0	9-1/4	235.0	5-11/16	144.5	
	2-3/8	66.7	8-1/8	206.4	10-1/8	257.2	6-1/8	154.0	
	3-1/16	79.4	9-1/8	231.8	10-1/8	257.2	6-5/8	168.3	
2-1/2	0	0.0	2-7/8	73.0	6-1/2	165.1	3-19/16	100.0	
	1-1/16	27.0	5-3/8	136.5	8-1/4	209.6	4-15/16	125.4	
	1-7/16	47.6	6-3/8	168.3	9-1/4	235.0	5-7/16	138.1	
	2-3/16	58.7	7-3/4	196.9	9-1/4	235.0	6	152.4	
	2-7/16	73.0	8-1/2	215.9	9-1/4	235.0	6-7/16	163.5	
	3-3/16	85.7	9-3/4	247.7	9-1/4	235.0	7-1/16	179.4	
3	0	0.0	3-1/2	88.9	7-1/4	184.2	4-1/8	104.8	
	1	25.4	5-7/8	149.2	8-1/4	209.6	5-1/4	133.4	
	1-3/16	39.7	7-1/4	184.2	9-1/4	235.0	5-3/4	146.1	
	2-1/16	52.4	8-1/4	209.6	10-1/8	257.2	6-1/8	155.6	
	2-3/16	65.1	9-3/8	238.1	10-1/8	257.2	6-3/4	171.5	
	3-1/16	77.8	10-1/8	257.2	10-7/8	276.2	7	177.8	
	3-1/2	0	0.0	4	101.6	7-1/4	184.2	4-3/8	111.1
		1-1/4	31.8	6-3/8	168.3	9-1/4	235.0	5-7/16	138.1
		1-13/16	46.0	7-3/8	187.3	9-1/4	235.0	5-13/16	147.6
2-1/4		57.2	8-3/8	219.1	10-1/8	257.2	6-3/8	161.9	
2-3/4		69.9	9-3/8	238.1	10-1/8	257.2	6-3/4	171.5	
3-5/16		84.1	10-3/4	273.1	10-7/8	276.2	7-3/8	187.3	
4	0	0.0	4-1/2	114.3	8-1/4	209.6	4-1/2	114.3	
	1-1/16	27.0	7-1/8	181.0	9-1/4	235.0	5-11/16	144.5	
	1-3/16	39.7	8-1/8	206.4	10-1/8	257.2	6-1/8	154.0	
	2-1/16	52.4	9-1/8	231.8	10-1/8	257.2	6-5/8	168.3	
	2-3/16	65.1	10	254.0	10-1/8	257.2	7-1/8	179.4	
	3-1/16	77.8	11-1/4	285.8	10-1/8	257.2	7-3/8	193.7	
	4-1/16	103.2	13	330.2	10-7/8	276.2	8-3/16	217.5	
5	0	0.0	5-3/8	142.9	8-1/4	209.6	5-1/8	128.6	
	1	25.4	8-1/4	209.6	10-1/8	257.2	6-3/8	155.6	
	1-1/2	38.1	9-3/8	238.1	10-1/8	257.2	6-3/4	171.5	
	2	50.8	10-3/8	263.5	10-7/8	276.2	7-1/8	181.0	
	2-3/16	65.1	11-1/4	285.8	10-7/8	276.2	7-3/8	193.7	
	3-1/16	77.8	12-3/8	314.3	10-7/8	276.2	8-1/8	206.4	
	4-3/16	106.4	14-1/4	362.0	10-7/8	276.2	9-3/16	233.4	
6	0	0.0	6-3/8	168.3	9-1/4	235.0	5-7/16	138.1	
	1	25.4	9	228.6	10-1/8	257.2	6-3/8	155.6	
	1-1/2	38.1	10-1/8	257.2	10-7/8	276.2	7	177.8	
	2	50.8	11	279.4	10-7/8	276.2	7-1/2	190.5	
	2-1/2	63.5	12-3/8	314.3	10-7/8	276.2	8-3/16	208.0	
	3	76.2	13-1/2	342.9	10-7/8	276.2	8-3/8	219.1	
	4-1/8	104.8	15-1/8	384.2	10-7/8	276.2	9-1/16	246.1	
8	0	0.0	8-3/8	219.1	10-1/8	257.2	6-3/8	161.9	
	1-1/2	38.1	12	304.8	10-7/8	276.2	8	203.2	
	2	50.8	13	330.2	10-7/8	276.2	8-3/16	217.5	
	2-11/16	68.3	14-1/2	368.3	10-7/8	276.2	9-3/16	236.5	
	3-3/8	79.4	15-3/8	390.5	10-7/8	276.2	9-13/16	249.2	
	4-13/16	106.4	17-3/8	441.3	10-7/8	276.2	10-7/8	276.2	

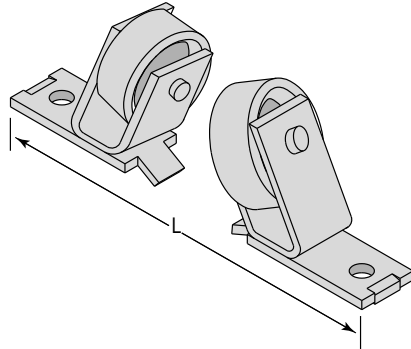


Rollers



PIPE ROLLER HD 6" TO 16" PIPE

- Dimension information for PRHD616EG
- Maximum load rating of 1500 lbs. (6.67 kN)
- Standard finish is Zinc Electroplate

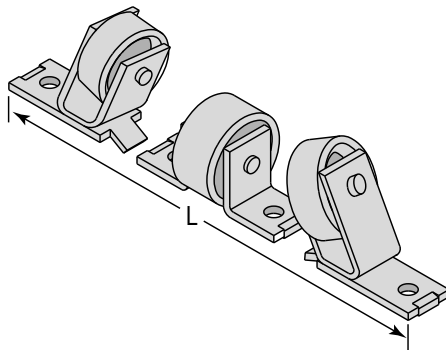


Part #	Box Qty
PRHD616EG	5

Pipe Size	Pipe Covering Thickness		Actual O.D of Pipe + Shield + Insulation		Dimension L		Dimension CL	
	in	mm	in	mm	in	mm	in	mm
6	0	0.0	6- ⁵ / ₈	168.3	9- ⁵ / ₁₆	236.5	7	177.8
	1	25.4	9	228.6				
	1- ¹ / ₂	38.1	10- ¹ / ₂	257.2				
	2	50.8	11	279.4				
	2- ¹ / ₂	63.5	12- ³ / ₈	314.3				
	3	76.2	13- ¹ / ₂	333.4				
8	0	0.0	8- ⁵ / ₈	219.1	10	254.0	7- ¹⁵ / ₁₆	201.6
	1- ¹ / ₂	38.1	12	304.8				
	2	50.8	13	330.2				
	2- ¹ / ₁₆	68.3	14- ¹ / ₂	368.3				
	3- ¹ / ₈	79.4	15- ³ / ₈	390.5				
	4- ³ / ₁₆	106.4	17- ³ / ₈	441.3				
10	0	0.0	10- ³ / ₄	273.1	10- ¹ / ₁₆	271.5	8- ¹⁵ / ₁₆	227.0
	1- ⁹ / ₁₆	39.7	14- ¹ / ₂	368.3				
	2- ¹ / ₁₆	52.4	15- ¹ / ₄	387.4				
	2- ⁹ / ₁₆	65.1	16- ¹ / ₄	412.8				
	3- ¹ / ₁₆	77.8	17- ³ / ₈	441.3				
	4- ¹ / ₁₆	103.2	19- ¹ / ₂	495.3				
12	0	0.0	12- ³ / ₄	323.9	11- ³ / ₈	288.9	9- ⁷ / ₈	250.8
	1- ⁹ / ₁₆	39.7	16- ¹ / ₂	409.6				
	2- ¹ / ₁₆	52.4	17- ¹ / ₄	438.2				
	2- ⁹ / ₁₆	66.7	18- ¹ / ₄	463.6				
	3- ¹ / ₁₆	77.8	19- ¹ / ₄	489.0				
	4- ¹ / ₈	104.8	20- ³ / ₈	517.5				
14	0	0.0	14	355.6	12- ¹ / ₁₆	306.4	10- ⁷ / ₁₆	265.1
	1- ¹ / ₂	38.1	17- ¹ / ₂	444.5				
	2	50.8	18- ⁵ / ₈	473.1				
	2- ¹ / ₂	63.5	19- ³ / ₄	501.7				
	3	76.2	20- ⁵ / ₈	523.9				
	4	101.6	22- ⁵ / ₈	574.7				

PIPE ROLLER HD 16" TO 24" PIPE

- Dimension information for PRHD1624HEG
- Maximum load rating of 2000 lbs. (8.90 kN)
- Standard finish is Zinc Electroplate



Part #	Box Qty
PRHD1624EG	5

Pipe Size	Pipe Covering Thickness		Actual O.D of Pipe + Shield + Insulation		Dimension L		Dimension CL	
	in	mm	in	mm	in	mm	in	mm
16	0	0.0	16	406.4	12- ³ / ₄	323.9	11- ³ / ₈	288.9
	1- ¹ / ₂	38.1	19- ⁵ / ₈	498.5				
	2	50.8	20- ³ / ₈	517.5				
	2- ¹ / ₂	63.5	21- ⁵ / ₈	549.3				
	3	76.2	22- ¹ / ₂	562.0				
	4	101.6	24- ³ / ₈	619.1				
18	0	0.0	18	457.2	12- ³ / ₄	323.9	12- ¹ / ₄	311.2
	1- ¹ / ₂	38.1	21- ⁵ / ₈	549.3				
	2	50.8	22- ⁵ / ₈	574.7				
	2- ¹ / ₂	63.5	23- ¹ / ₄	590.6				
	3	76.2	24- ¹ / ₄	616.0				
	4	101.6	26- ⁵ / ₈	676.3				
20	0	0.0	20	508.0	14- ¹ / ₈	358.8	13- ¹ / ₄	336.6
	1- ¹ / ₂	38.1	23- ¹ / ₄	590.6				
	2	50.8	24- ¹ / ₂	622.3				
	2- ¹ / ₂	63.5	25- ¹ / ₂	647.7				
	3	76.2	26- ⁵ / ₈	676.3				
	4	101.6	28- ¹ / ₄	717.6				
24	0	0.0	24	609.6	14- ¹³ / ₁₆	376.2	15- ¹ / ₄	387.4
	1- ¹ / ₂	38.1	27	685.8				
	2	50.8	28	711.2				
	2- ¹ / ₂	63.5	29- ¹ / ₄	743.0				
	3	76.2	30- ¹ / ₂	774.7				
	4	101.6	32- ¹ / ₂	835.0				
30	0	0.0	30	762.0	15- ⁷ / ₈	403.2	16- ¹ / ₄	412.8

- Pictorial Index
- Channel Nuts
- Hardware
- Strut Clamps
- Flat Fittings
- Angle Fittings
- Beam Clamps
- Brackets
- Concrete Inserts
- Electrical
- Post Bases
- Rollers
- U Fittings
- Wing Fittings
- Z Fittings
- Alphabetical Index

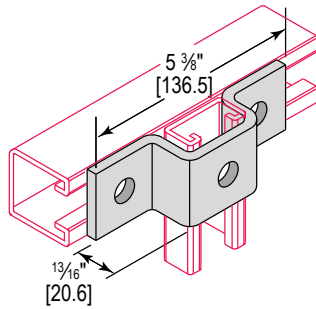


U Fittings



U-FITTING CROSS 3 HOLE 1³/₁₆"

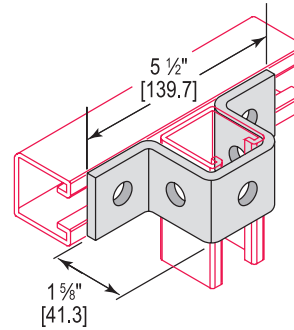
- Standard finish is Zinc Electroplate



Part #	Box Qty
UFX3H81EG	25

U-FITTING CROSS 5 HOLE 1-⁵/₈"

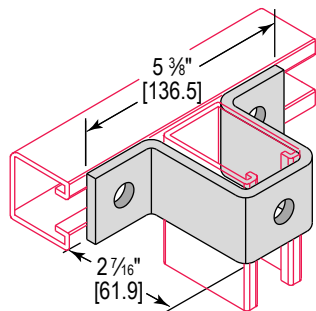
- Standard finish is Zinc Electroplate



Part #	Box Qty
UFX5H162EG	20

U-FITTING CROSS 3 HOLE 2-⁷/₁₆"

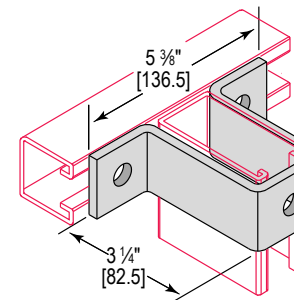
- Standard finish is Zinc Electroplate



Part #	Box Qty
UFX3H243EG	25

U-FITTING CROSS 3 HOLE 3-¹/₄"

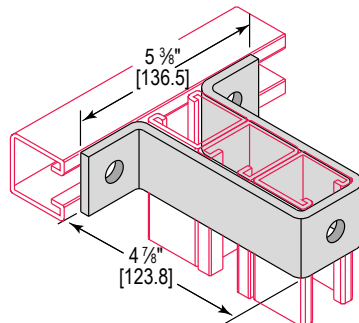
- Standard finish is Zinc Electroplate



Part #	Box Qty
UFX3H325EG	15

U-FITTING CROSS 3 HOLE 4-⁷/₈"

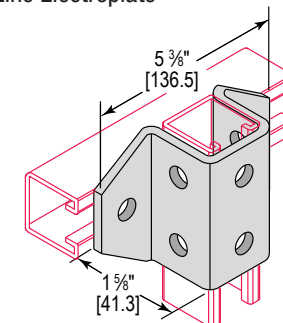
- Standard finish is Zinc Electroplate



Part #	Box Qty
UFX3H487EG	10

U-FITTING CROSS 8 HOLE 1-⁵/₈"

- Standard finish is Zinc Electroplate



Part #	Box Qty
UFX8H162EG	10

- Holes are ⁹/₁₆ diameter, ¹³/₁₆ center to edge on ¹/₈ centers unless specified

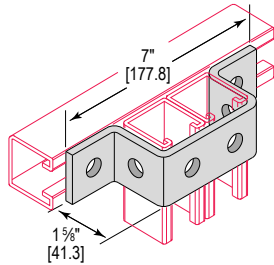


U Fittings



U-FITTING CROSS 6 HOLE

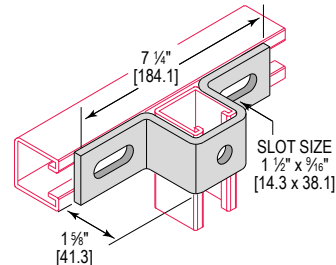
- For 1-5/8" Double Channel
- Standard finish is Zinc Electroplate



Part #	Box Qty
UFXD6H162EG	10

U-FITTING CROSS 1 HOLE 2 SLOT

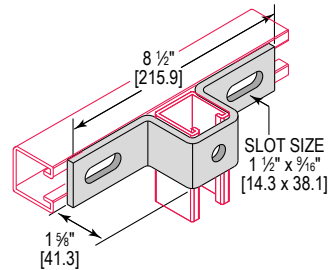
- For 1-5/8" x 7-1/4" Channel
- Standard finish is Zinc Electroplate



Part #	Box Qty
UFX1H2S750EG	10

U-FITTING CROSS 1 HOLE 2 SLOT

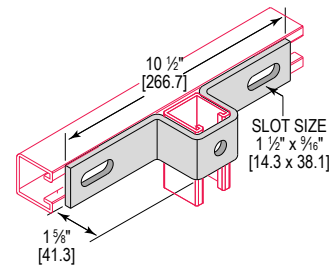
- For 1-5/8" x 8-1/2" Channel
- Standard finish is Zinc Electroplate



Part #	Box Qty
UFX1H2S850EG	10

U-FITTING CROSS 1 HOLE 2 SLOT

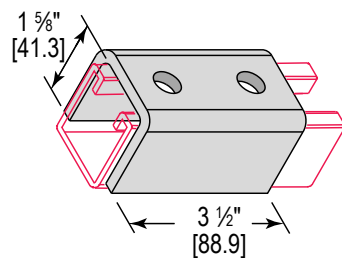
- For 1-5/8" x 10-1/2" Channel
- Standard finish is Zinc Electroplate



Part #	Box Qty
UFX1H2S1050EG	10

U-FITTING SPLICE 2 HOLE

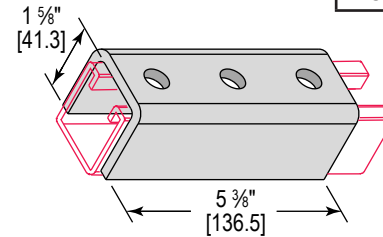
- For 1-5/8" Channel
- Standard finish is Zinc Electroplate



Part #	Box Qty
UFS2H162EG	20

U-FITTING SPLICE 3 HOLE

- For 1-5/8" Channel
- Standard finish is Zinc Electroplate



Part #	Box Qty
UFS3H162EG	20

- Holes are 9/16 diameter, 13/16 center to edge on 1 7/8 centers unless specified

Pictorial Index
Channel Nuts
Hardware
Strut Clamps
Flat Fittings
Angle Fittings
Beam Clamps
Brackets
Concrete Inserts
Electrical
Post Bases
Rollers
U Fittings
Wing Fittings
Z Fittings
Alphabetical Index

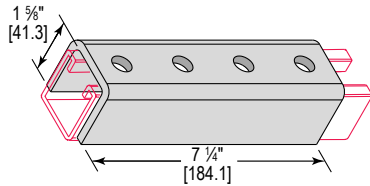
U Fittings



U-FITTING SPLICE 4 HOLE

- For 1-5/8" Channel
- Standard finish is Zinc Electroplate

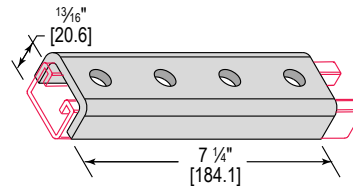
Part #	Box Qty
UFS4H162EG	10



U-FITTING SPLICE 4 HOLE

- For 1 3/16" Channel
- Standard finish is Zinc Electroplate

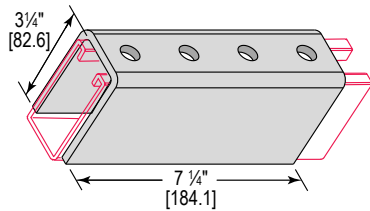
Part #	Box Qty
UFS4H81EG	10



U-FITTING SPLICE 4 HOLE

- For 3-1/4" Channel
- Standard finish is Zinc Electroplate

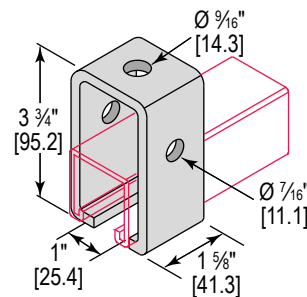
Part #	Box Qty
UFS4H325EG	10



U-FITTING TROLLEY SUPPORT

- 3 Hole Standard
- Standard finish is Zinc Electroplate

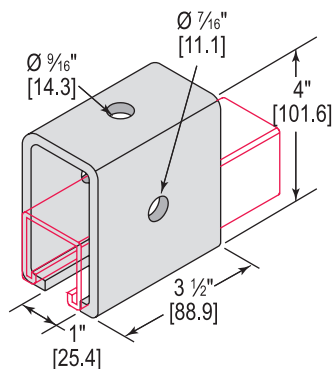
Part #	Box Qty
UFTS3HEG	20



U-FITTING TROLLEY SUPPORT

- 3 Hole Heavy Duty
- Standard finish is Zinc Electroplate

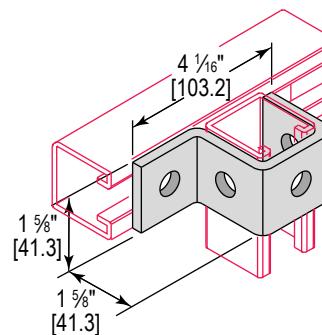
Part #	Box Qty
UFTS3HHDEG	15



U-FITTING 4 HOLE CUP SUPPORT

- Standard finish is Zinc Electroplate

Part #	Box Qty
UFC4HEG	20



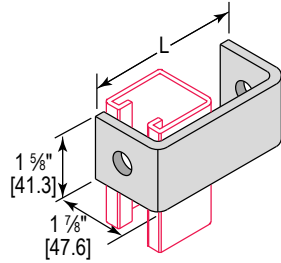
• Holes are 9/16 diameter, 13/16 center to edge on 1/8 centers unless specified

U Fittings



U-FITTING CLEVIS 2 HOLE

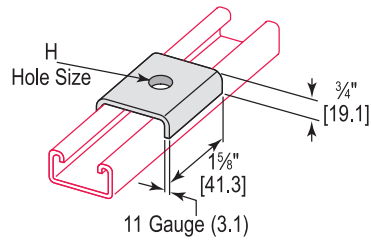
- Standard finish is Zinc Electroplate



Part #	L		Box Qty
	in	mm	
UFC2H4EG	4	101.6	20
UFC2H5EG	5	127	20
UFC2H6EG	6	152.4	20
UFC2H7EG	7	177.8	20
UFC2H8EG	8	203.2	20

U-SHAPED WASHERS

- Standard finish is Zinc Electroplate



Part #	Bolt Size	Hole Size (H)		Box Qty
	in	in	mm	
UW25EG	1/4	5/16	7.9	50
UW37EG	3/8	7/16	11.1	50
UW50EG	1/2	9/16	14.3	50
UW62EG	5/8	11/16	17.4	50
UW75EG	3/4	13/16	20.6	50

- Holes are 9/16 diameter, 13/16 center to edge on 1 7/8 centers unless specified

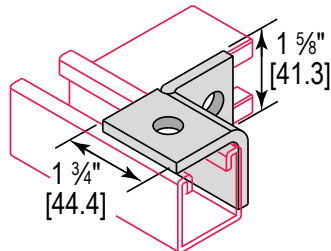
- Pictorial Index
- Channel Nuts
- Hardware
- Strut Clamps
- Flat Fittings
- Angle Fittings
- Beam Clamps
- Brackets
- Concrete Inserts
- Electrical
- Post Bases
- Rollers
- U Fittings
- Wing Fittings
- Z Fittings
- Alphabetical Index

Wing Fittings



SINGLE CORNER 2 HOLE RIGHT

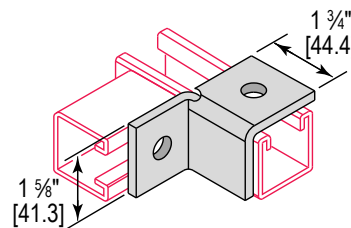
- Standard finish is Zinc Electroplate



Part #	Box Qty
WFS2HREG	25

SINGLE CORNER 2 HOLE LEFT

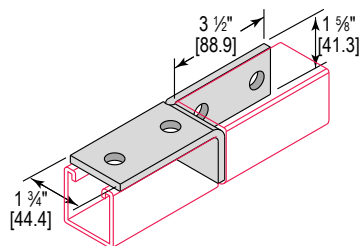
- Standard finish is Zinc Electroplate



Part #	Box Qty
WFS2HLEG	25

SINGLE CORNER 4 HOLE RIGHT

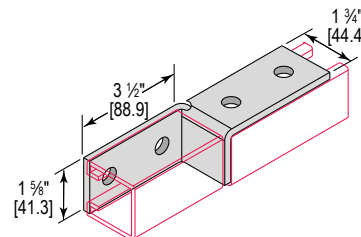
- For 3-1/4" Channel
- Standard finish is Zinc Electroplate



Part #	Box Qty
WFS4HREG	25

SINGLE CORNER 4 HOLE LEFT

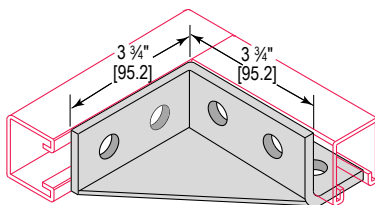
- 3 Hole Standard
- Standard finish is Zinc Electroplate



Part #	Box Qty
WFS4HLEG	25

SING. CRNR 6 HOLE GUSSET RIGHT

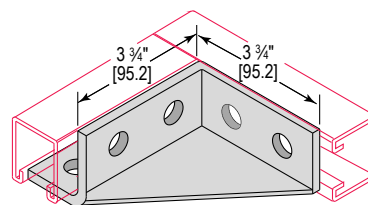
- Standard finish is Zinc Electroplate



Part #	Box Qty
WFSG6HREG	10

SING. CRNR 6 HOLE GUSSET LEFT

- Standard finish is Zinc Electroplate



Part #	Box Qty
WFSG6HLEG	10

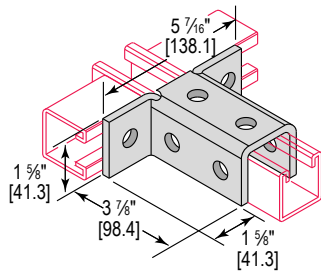
- Holes are 9/16 diameter, 13/16 center to edge on 1 7/8 centers unless specified

Wing Fittings



CORNER 8 HOLE OPPOSED

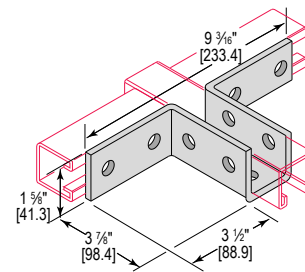
- Standard finish is Zinc Electroplate



Part #	Box Qty
WFO8HEG	25

CNR. CONNECTOR 10 HOLE OPPOSED

- Standard finish is Zinc Electroplate

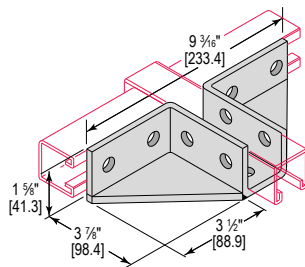


Part #	Box Qty
WFO10HEG	25

CRN. CONN. 10 H. OPPOSED

DBL GUSSET

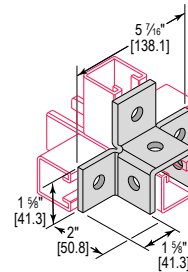
- Standard finish is Zinc Electroplate



Part #	Box Qty
WFODG10HEG	25

TRIPLE CORNER 6 HOLE

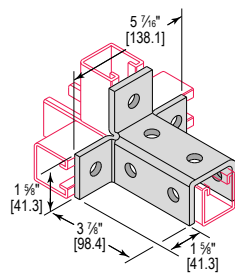
- Standard finish is Zinc Electroplate



Part #	Box Qty
WFT6HEG	25

TRIPLE CORNER 9 HOLE

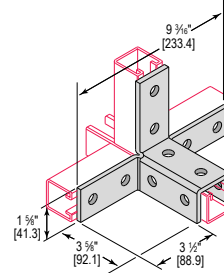
- Standard finish is Zinc Electroplate



Part #	Box Qty
WFT9HEG	25

TRIPLE CORNER 12 HOLE

- Standard finish is Zinc Electroplate



Part #	Box Qty
WFT12HEG	25

- Holes are 9/16 diameter, 13/16 center to edge on 1 7/8 centers unless specified

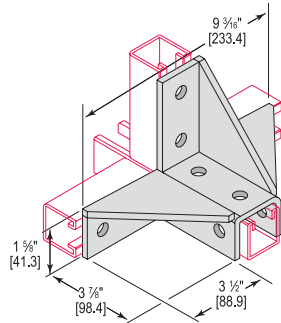
Pictorial Index
Channel Nuts
Hardware
Strut Clamps
Flat Fittings
Angle Fittings
Beam Clamps
Brackets
Concrete Inserts
Electrical
Post Bases
Rollers
U Fittings
Wing Fittings
Z Fittings
Alphabetical Index

Wing Fittings



TRIPLE CNR. 12 HOLE GUSSET

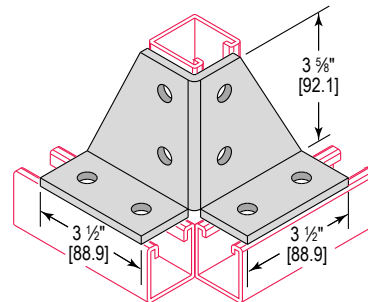
- Standard finish is Zinc Electroplate



Part #	Box Qty
WFTG12HEG	25

DOUBLE CNR. CONNECTOR 8 HOLE

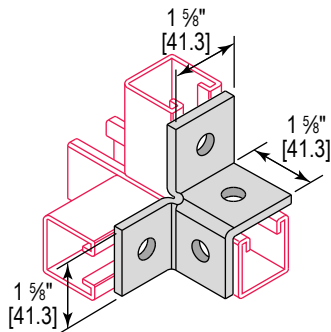
- Standard finish is Zinc Electroplate



Part #	Box Qty
WFDC8HEG	25

DBL CORNER 4 HOLE

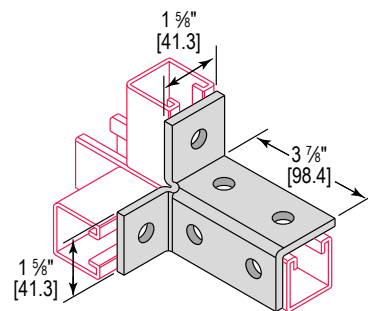
- Standard finish is Zinc Electroplate



Part #	Box Qty
WFD4HEG	25

DBL CORNER 6 HOLE

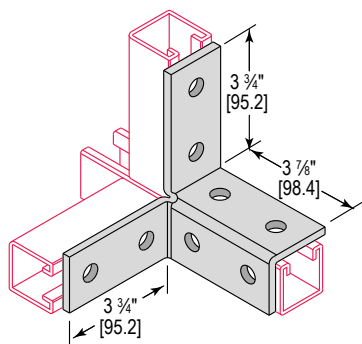
- Standard finish is Zinc Electroplate



Part #	Box Qty
WFD6HEG	25

DBL CORNER 8 HOLE

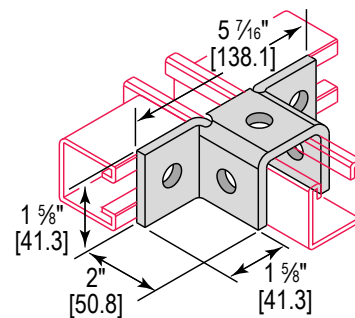
- Standard finish is Zinc Electroplate



Part #	Box Qty
WFD8HEG	15

CNR. CONNECTOR 5 HOLE OPPOSED

- Standard finish is Zinc Electroplate



Part #	Box Qty
WF05HEG	15

- Holes are 9/16 diameter, 13/16 center to edge on 1 7/8 centers unless specified

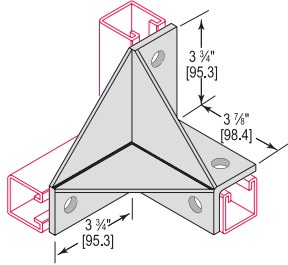


Wing Fittings



DBL CORNER 8 HOLE DBL GUSSET

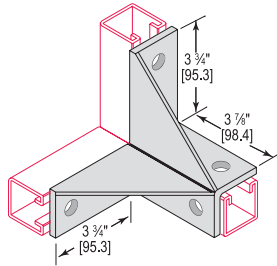
- Standard finish is Zinc Electroplate



Part #	Box Qty
WFDDG8HEG	5

DBL CORNER 8 HOLE GUSSET

- Standard finish is Zinc Electroplate



Part #	Box Qty
WFDG8HEG	5

- Holes are $\frac{9}{16}$ diameter, $\frac{13}{16}$ center to edge on $1\frac{7}{8}$ centers unless specified

Pictorial Index
Channel Nuts
Hardware
Strut Clamps
Flat Fittings
Angle Fittings
Beam Clamps
Brackets
Concrete Inserts
Electrical
Post Bases
Rollers
U Fittings
Wing Fittings
Z Fittings
Alphabetical Index

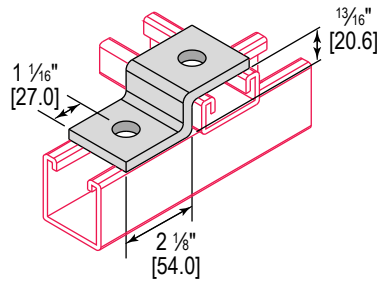


Z Fittings



Z FITTING CROSS 2 HOLE 1³/₁₆"

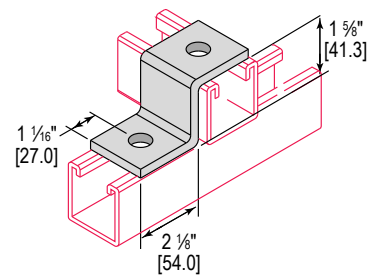
- Standard finish is Zinc Electroplate



Part #	Box Qty
FZX2H81EG	25

Z FITTING CROSS 2 HOLE 1-⁵/₈"

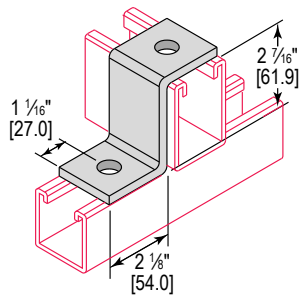
- Standard finish is Zinc Electroplate



Part #	Box Qty
FZX2H162EG	25

Z FITTING CROSS 2 HOLE 2-⁷/₁₆"

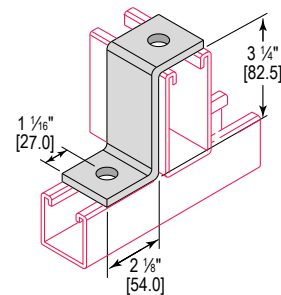
- Standard finish is Zinc Electroplate



Part #	Box Qty
FZX2H243EG	25

Z FITTING CROSS 2 HOLE 3-¹/₄"

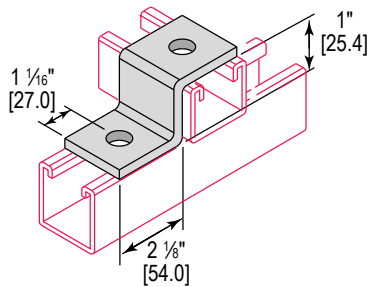
- Standard finish is Zinc Electroplate



Part #	Box Qty
FZX2H325EG	25

Z FITTING CROSS 2 HOLE 1"

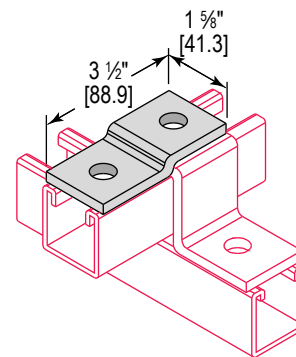
- Standard finish is Zinc Electroplate



Part #	Box Qty
FZX2H1EG	25

Z FITTING OFFSET SUPPORT 2 HOLE

- Standard finish is Zinc Electroplate



Part #	Box Qty
FZS02HEG	25

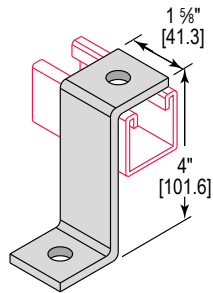
- Holes are ⁹/₁₆ diameter, ¹³/₁₆ center to edge on ¹/₈ centers unless specified

Z Fittings



Z FITTING 2 HOLE SUPPORT 4"

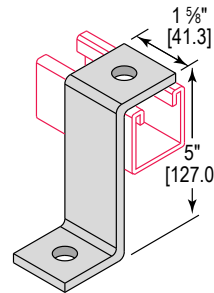
- Standard finish is Zinc Electroplate



Part #	Box Qty
FZS2H4EG	25

Z FITTING 2 HOLE SUPPORT 5"

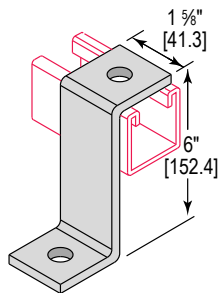
- Standard finish is Zinc Electroplate



Part #	Box Qty
FZS2H5EG	25

Z FITTING 2 HOLE SUPPORT 6"

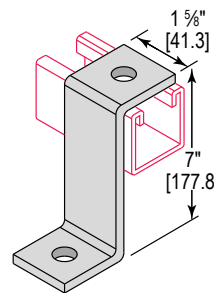
- Standard finish is Zinc Electroplate



Part #	Box Qty
FZS2H6EG	25

Z FITTING 2 HOLE SUPPORT 7"

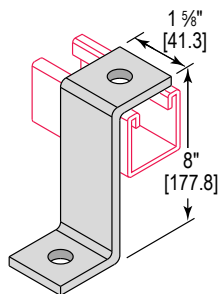
- Standard finish is Zinc Electroplate



Part #	Box Qty
FZS2H7EG	25

Z FITTING 2 HOLE SUPPORT 8"

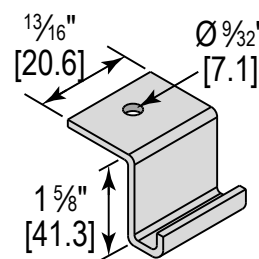
- Standard finish is Zinc Electroplate



Part #	Box Qty
FZS2H8EG	25

Z FITTING CHANNEL HANGER 1-5/8"

- Standard finish is Zinc Electroplate



Part #	Box Qty
FZCH162EG	100

- Holes are 9/16 diameter, 13/16 center to edge on 1 7/8 centers unless specified

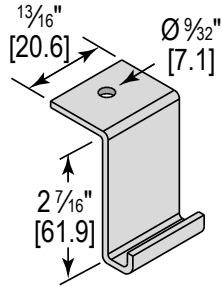
- Pictorial Index
- Channel Nuts
- Hardware
- Strut Clamps
- Flat Fittings
- Angle Fittings
- Beam Clamps
- Brackets
- Concrete Inserts
- Electrical
- Post Bases
- Rollers
- U Fittings
- Wing Fittings
- Z Fittings
- Alphabetical Index

Z Fittings



Z FITTING CHANNEL HANGER 2-7/16"

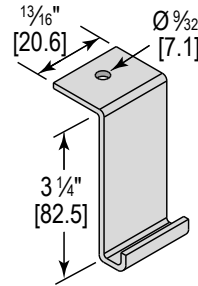
- Standard finish is Zinc Electroplate



Part #	Box Qty
FZCH243EG	100

Z FITTING CHANNEL HANGER 3-1/4"

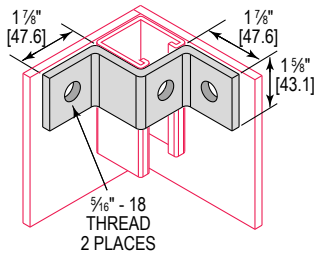
- Standard finish is Zinc Electroplate



Part #	Box Qty
FZCH325EG	100

Z FITTING CORNER BRACE 3 HOLE

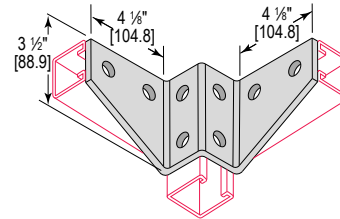
- Standard finish is Zinc Electroplate



Part #	Box Qty
FZB3HEG	25

Z FITTING CORNER BRACE 8 HOLE

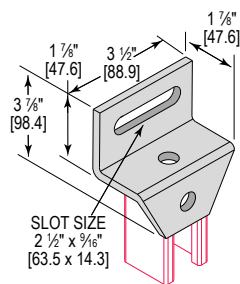
- Standard finish is Zinc Electroplate



Part #	Box Qty
FZB8HEG	5

Z FITTING SLOTTED SUPPORT

- Standard finish is Zinc Electroplate



Part #	Box Qty
FZSSEG	10

- Holes are 9/16 diameter, 13/16 center to edge on 1 7/8 centers unless specified



Alphabetical Index



A

AB8EG.....24
 AB12EG.....24
 AB16EG.....24
 AB18EG.....24
 AB24EG.....24

B

BC075EG.....25
 BC3787EG.....26
 BC5087EG.....26
 BCAS6EG.....26
 BCAS9EG.....26
 BCAS12EG.....26
 BCAS15EG.....26
 BCC37EG.....32
 BCC37PL.....32
 BCHD3787EG.....27
 BCHD5087EG.....27
 BCHD6287EG.....27
 BCHD37162EG.....27
 BCHD50162EG.....27
 BCHD62162EG.....27
 BCJH036EG.....25
 BCJH069EG.....25
 BCJH912EG.....25
 BCMC37EG.....32
 BCMC37PL.....32
 BCMC50EG.....32
 BCMC50PL.....32
 BCMC62EG.....32
 BCMC62PL.....32
 BCSA.....26
 BCSC251EG.....27
 BCSC371EG.....27
 BCSCP37250EG.....28
 BCSD162EG.....30
 BCSD325EG.....30
 BCSNTEG.....30
 BCSSCEG.....28
 BCSSCHDEG.....28
 BCSU162EG.....29
 BCSU325EG.....29
 BCSU650EG.....30
 BCSUJ162LEG.....29
 BCSUJ162MEG.....29
 BCSUJ162SEG.....29
 BCSUJ325LEG.....29
 BCSUJ325MEG.....29
 BCSUJ325SEG.....29
 BCSW.....28
 BCSZ371EG.....28
 BCUBM25EG.....32
 BCUM37EG.....31

BCUM37PL.....31
 BCUM50EG.....31
 BCUM50PL.....31
 BCUM62EG.....31
 BCUM62PL.....31
 BCUM75EG.....31
 BCUM75PL.....31
 BCUMW37EG.....31
 BCUMW37PL.....31
 BCUMW50EG.....31
 BCUMW50PL.....31
 BCUMW62EG.....31
 BCUMW62PL.....31
 BR3H0850EG.....33
 BR3H1050EG.....33
 BR6H1250EG.....34
 BR6H1450EG.....34
 BRB6H1650EG.....34
 BRB6H1850EG.....34
 BRB6H2050EG.....34
 BRC162B12EG.....37
 BRC162B18EG.....37
 BRC162D12EG.....35
 BRC162D18EG.....35
 BRC162D24EG.....35
 BRC162D30EG.....35
 BRC162D36EG.....35
 BRC162EG.....34
 BRC162ND6EG.....36
 BRC162ND9EG.....36
 BRC162ND12EG.....36
 BRC162ND18EG.....36
 BRC162ND24EG.....36
 BRC162NU6EG.....36
 BRC162NU9EG.....36
 BRC162NU12EG.....36
 BRC162NU18EG.....36
 BRC162NU24EG.....36
 BRC162W6EG.....35
 BRC162W12EG.....35
 BRC162W18EG.....35
 BRC162W24EG.....35
 BRC162B24EG.....37
 BRC325EG.....34
 BRC162B30EG.....37
 BRC162B36EG.....37
 BRC1626EG.....35
 BRC1629EG.....35
 BRC16212EG.....35
 BRC16218EG.....35
 BRC16224EG.....35
 BRLO237EG.....37
 BRLO437EG.....37
 BRLO637EG.....37
 BRLO837EG.....37

BRL1037EG.....37
 BRSSL6EG.....33
 BRSSL8EG.....33
 BRSSL10EG.....33
 BRSSL12EG.....33
 BRSSL14EG.....33
 BRSSL16EG.....33
 BRSSL18EG.....33
 BRSSR6EG.....33
 BRSSR8EG.....33
 BRSSR10EG.....33
 BRSSR12EG.....33
 BRSSR14EG.....33
 BRSSR16EG.....33
 BRSSR18EG.....33

C

CA1H587EG.....23
 CA1H787EG.....23
 CA1H987EG.....23
 CA2H3LEG.....18
 CA2H4LEG.....19
 CA2H350LEG.....18
 CA2HEG.....18
 CA3H3WEG.....20
 CA3HEG.....18
 CA3HLEG.....19
 CA4H3WEG.....20
 CA4HEG.....18
 CAA2H262EG.....21
 CAA2H487EG.....21
 CAA2H687EG.....21
 CAA3H262EG.....21
 CAA3H50EG.....23
 CAA4H862EG.....22
 CAA4HEG.....23
 CAAG2HEG.....21
 CAAG4H662EG.....22
 CAG4H3WEG.....20
 CAC2H45EG.....22
 CAC4H45EG.....23
 CAG5H3WEG.....20
 CAGL4HEG.....20
 CAGR4HEG.....21
 CAGX3HEG.....19
 CAGX5HEG.....19
 CANT2HEG.....18
 CAO2H45EG.....22
 CAO4H45EG.....22
 CAOFF4HEG.....22
 CAOFF4HLEG.....22
 CAOFF4HREG.....22
 CAP4HEG.....19
 CAUG7HEG.....20
 CAX2HEG.....19

CCC025CP.....9
 CCC037CP.....9
 CCC050CP.....9
 CCC075CP.....9
 CCC100CP.....9
 CCC125CP.....9
 CCC150CP.....9
 CCC200CP.....9
 CCC250CP.....9
 CCC300CP.....9
 CCC350CP.....9
 CCC400CP.....9
 CCC500CP.....9
 CCC600CP.....9
 CCE037EG.....9
 CCE050EG.....9
 CCE075EG.....9
 CCE100EG.....9
 CCE125EG.....9
 CCE150EG.....9
 CCE200EG.....9
 CCOD025EG.....10
 CCOD037EG.....10
 CCOD050EG.....10
 CCOD062EG.....10
 CCOD075EG.....10
 CCOD087EG.....10
 CCOD100EG.....10
 CCOD112EG.....10
 CCOD125EG.....10
 CCOD137EG.....10
 CCOD150EG.....10
 CCOD162EG.....10
 CCOD175EG.....10
 CCOD187EG.....10
 CCOD200EG.....10
 CCOD212EG.....10
 CCOD225EG.....10
 CCOD237EG.....10
 CCOD250EG.....10
 CCOD262EG.....10
 CCOD275EG.....10
 CCOD287EG.....10
 CCOD300EG.....10
 CCOD312EG.....10
 CCOD325EG.....10
 CCOD337EG.....10
 CCOD350EG.....10
 CCOD362EG.....10
 CCOD375EG.....10
 CCOD387EG.....10
 CCOD400EG.....10
 CCOD412EG.....10
 CCOD425EG.....10
 CCOD437EG.....10

Pictorial Index
Channel Nuts
Hardware
Strut Clamps
Flat Fittings
Angle Fittings
Beam Clamps
Brackets
Concrete Inserts
Electrical
Post Bases
Rollers
U Fittings
Wing Fittings
Z Fittings
Alphabetical Index



Alphabetical Index



RAC350HDG	32
RAC400HDG	32
RT2BAEG	47
RT4BAEG	47

S

SJI81EG.....	42
SJI162EG.....	42
SN010EG.....	4
SN025EG.....	4
SN031EG.....	4
SN037EG.....	4
SN050EG.....	4
SN062EG.....	4
SN075EG.....	4
SN087EG.....	4
SNL025EG.....	5
SNL037EG.....	5
SNL050EG.....	5
SNS010EG.....	4
SNS025EG.....	4
SNS031EG.....	4
SNS037EG.....	4
SNS062EG.....	4
SNST031EG.....	4
SNST037EG.....	4
SNST050EG.....	4
SNT031EG.....	4
SNT037EG.....	4
SNT050EG.....	4
SP2HEG.....	15
SP3HEG.....	15
SP4HEG.....	15
SP5HEG.....	15
SPP2HEG.....	15
SPP4HEG.....	15
SW025EG.....	14
SW031EG.....	14
SW037EG.....	14
SW050EG.....	14
SW062EG.....	14
SW075EG.....	14
SW087EG.....	14
SWF037EG.....	6
SWF050EG.....	6
SWFF037EG.....	6
SWFF050EG.....	6
SWM037EG.....	6
SWM050EG.....	6
SWMF037EG.....	6
SWMF050EG.....	6
SWN025EG.....	14
SWN037EG.....	14
SWN050EG.....	14
SWN062EG.....	14

T

SWN075EG.....	14
SWP2HEG.....	16
SWP3HEG.....	16
TGP3HEG.....	17
TGP4HEG.....	17
TGP5HEG.....	17
TN025EG.....	5
TN037EG.....	5
TN050EG.....	5
TNT050EG.....	5
TP4HEG.....	19

U

UFC2H4EG.....	52
UFC2H5EG.....	52
UFC2H6EG.....	52
UFC2H7EG.....	52
UFC2H8EG.....	52
UFC4HEG.....	51
UFS2H162EG.....	50
UFS3H162EG.....	50
UFS4H81EG.....	51
UFS4H162EG.....	51
UFS4H325EG.....	51
UFTS3HEG.....	51
UFTS3HHDEG.....	51
UFX1H2S750EG.....	50
UFX1H2S850EG.....	50
UFX1H2S1050EG.....	50
UFX3H81EG.....	49
UFX3H243EG.....	49
UFX3H325EG.....	49
UFX3H487EG.....	49
UFX5H162EG.....	49
UFX8H162EG.....	49
UFXD6H162EG.....	50
UW25EG.....	52
UW37EG.....	52
UW50EG.....	52
UW62EG.....	52
UW75EG.....	52

W

WFD4HEG.....	55
WFD6HEG.....	55
WFD8HEG.....	55
WFDC8HEG.....	55
WFDDG8HEG.....	56
WFDG8HEG.....	56
WFO10HEG.....	54
WFO5HEG.....	55
WFO8HEG.....	54

WFODG10HEG.....	54
WFS2HLEG.....	53
WFS2HREG.....	53
WFS4HLEG.....	53
WFS4HREG.....	53
WFSG6HLEG.....	53
WFSG6HREG.....	53
WFT12HEG.....	54
WFT6HEG.....	54
WFT9HEG.....	54
WFTG12HEG.....	5
WS.....	41

X

XGP7HEG.....	14
XP5HEG.....	14

ORDERING

HOW TO ORDER

Phone

Toll Free
800-927-3293
 8:00 A.M. to 5:00 P.M. CT

Fax

Toll Free
800-824-8942

Email

Ordering
Orders@minerallac.com

Pictorial Index
Channel Nuts
Hardware
Strut Clamps
Flat Fittings
Angle Fittings
Beam Clamps
Brackets
Concrete Inserts
Electrical
Post Bases
Rollers
U Fittings
Wing Fittings
Z Fittings
Alphabetical Index

Additional Minerallac Products



Minerallac provides you with the tools you need to improve the way you work. We provide industry-leading merchandising options and support, from our color-coded jars and rack displays to our catalogs and website.

Color-Coded Label Design System

- Clear Descriptions
- Easy to Read
- Bold Vibrant Colors

Diverse Marketing Efforts

Minerallac is committed to being your dedicated partner and delivering the solutions you need to make your business successful. Contact us today to learn more about how we can help you grow with the family of **Minerallac** product brands and our flexible marketing solutions.





Minerallac Company's Other Quality Brands



Anchors Paints
 Chemicals Safety
 Fasteners Tools



Hangers
 Straps
 Beam Clamps



Spring Steel Fasteners



Commercial Staples
 Residential Staples



Utility Staples



AN AMERICAN COMPANY SINCE 1894

Corporate Office:
 100 Gast Road
 Hampshire, IL 60140
 Phone: 800-927-3293
 Fax: 800-824-8942
www.minerallac.com

Regional Office:
 4200 9th Ave NW
 Seattle, WA 98107
 Phone: 800-927-3293
 Fax: 206-789-9362
www.minerallac.com



COM01000

